



# COAXIAL SWITCH

# DPDT FAILSAFE FUNCTION

## Features

- ✓ Frequency up to 18GHz
- ✓ High Isolation
- ✓ Low Insertion Loss



PART NUMBER	PART NUMBER	PART NUMBER	PART NUMBER
<b>MVE9112</b>	<b>MVE9112-18</b>	<b>MVE9112-24</b>	<b>MVE9112-28</b>
DC 12V	DC 18V	DC 24V	DC 28V

## SPECIFICATIONS

### FREQUENCY:DC-18GHz

#### RF CHARACTERISTICS

FREQUENCY RANGE	DC-2GHz	2-6GHz	4-8GHz	8-12.4GHz	12.4-18GHz
VSWR MAX.	1.20:1	1.20:1	1.25:1	1.30:1	1.40:1
INSERTION LOSS MAX.	0.20dB	0.20dB	0.25dB	0.30dB	0.40dB
ISOLATION MIN.	90dB	70dB	70dB	70dB	60dB

#### ELECTRICAL CHARACTERISTICS

ACTUATOR	Failsafe
ACTUATOR VOLTAGE(V)	380mA/DC 12V

#### MECHANICAL CHARACTERISTICS

CONNECTOR TYPE	SMA Female
POWER INTERFACE	D-sub
ACTUATOR LIFESPAN	1,000,000
SWITCHING TIME	<15ms
SHOCK (NON OPERATING)	50G, 1/2Sine, 12msec
VIBRATION (OPERATING)	10G RMS, 20-2000HZ
Weight	180g

#### ENVIRONMENTAL CHARACTERISTICS

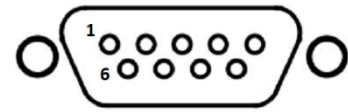
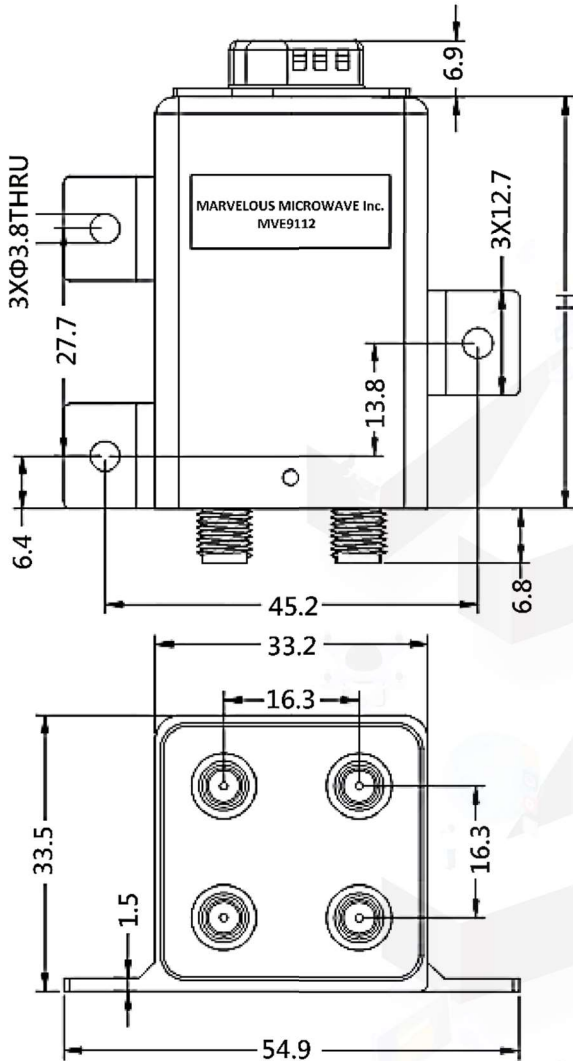
TEMPURATURE RANGE	-25°C+80°C
-------------------	------------



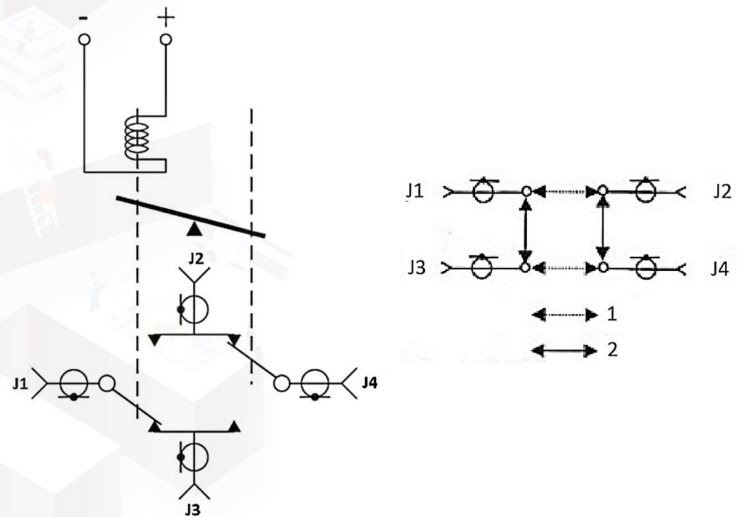
Tolerance:±0.5mm

**Outline Drawing (Unit: mm)**

**SCHEMATIC DIAGRAM**



IN	CONTROL	DRIVE VOLTAGE(V)
1	1↔3 2↔4	/
2	/	/
3	GND	/
4	/	/
5	/	/
6	/	/
7	/	/
8	/	/
9	+VDC	12V



NOTES:

1. ALL SPECIFICATIONS ARE SUBJECT TO CHANGE WITHOUT NOTICE AT ANY TIME
2. CUSTOMER OUTLINE DRAWING FOR REFERENCE ONLY

