



# COAXIAL CONNECTOR

# SMA PCB DIP Type

## Features

- ✓ Frequency up to 12.4GHz
- ✓ Low VSWR
- ✓ SMA Female R/A Interface

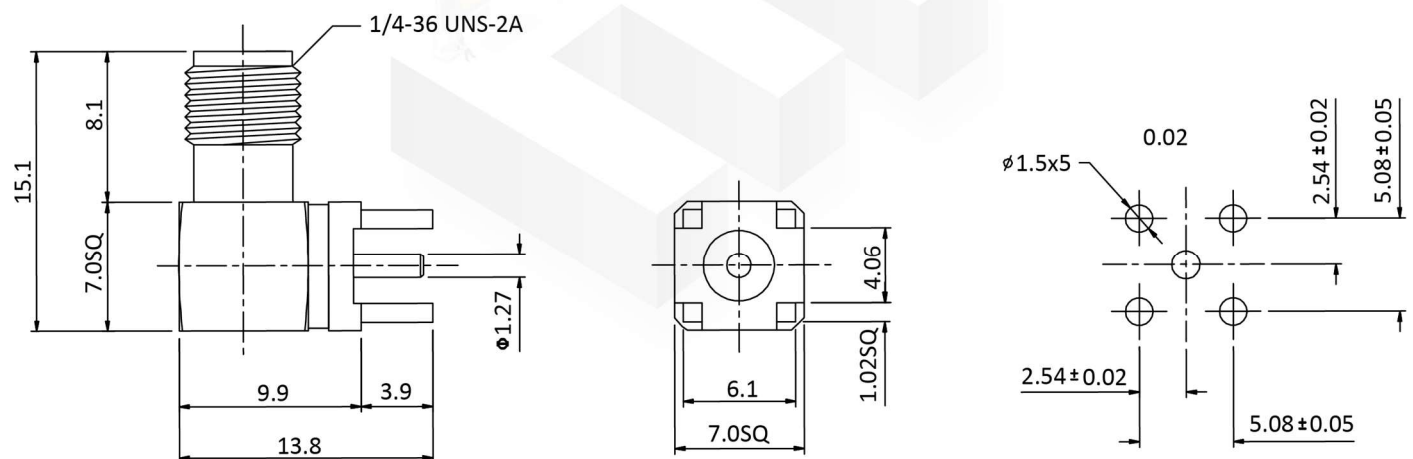


## Specifications

<b>PART NUMBER</b>	<b>MVE3108-15.1</b>
<b>DESCRIPTION</b>	SMA Female R/A For PCB Connector, DIP DC-12.4GHz
<b>ELECTRICAL</b>	
FREQUENCY: DC-12.4GHz IMPEDANCE: 50 ohm VSWR: 1.30:1 MAX. WORKING VOLTAGE: 500Vrms MAX. DIELECTRIC WITHSTANDING VOLTAGE: 1000Vrms MAX. INSULATOR RESISTANCE: 5000MEGOHMS MIN.	
<b>MATERIALS</b>	
BODY: BRASS, GOLD PLATED CONTACT: BE COPPER, GOLD PLATED INSULATOR: TEFLON	

TOLERANCE: X=±0.2 X.X=±0.1 X.XX=±0.05

## Outline Drawing (Unit: mm)



Recommended PCB Hole

**NOTES:**

1. ALL SPECIFICATIONS ARE SUBJECT TO CHANGE WITHOUT NOTICE AT ANY TIME
2. CUSTOMER OUTLINE DRAWING FOR REFERENCE ONLY

