



ROTARY ATTENUATOR

MVE2R80-50, MVE2R80N-50

DC to 18GHz
Rotary, 0-69dB
1dB&10dB/Step

Features

- ✓ Excellent Accuracy Value
- ✓ Full Attenuation Range: 69dB
- ✓ Low VSWR, unconditional stable
- ✓ SMA female connector I/O (option: N)

Specifications

PART NUMBER	IMPEDANCE	FREQUENCY	ATTENUATION STEP	INSERTION LOSS(MAX.)	VSWR (MAX.)	CONNECTOR
MVE2R80-50 MVE2R80N-50	50 OHMS	DC – 18GHz	0-69 dB 1dB&10dB/step	1.50dB	1.75:1	SMA (F-F) N (M-F)

*Option Connector N(Male to Female): MVE2R80N-50

ATTENUATION ACCURACY

- 01-09dB: ±0.8 dB
- 10-19dB: ±1.0 dB
- 20-49dB: ±1.5 dB
- 50-69dB: ±2.0 dB (50-69dB)

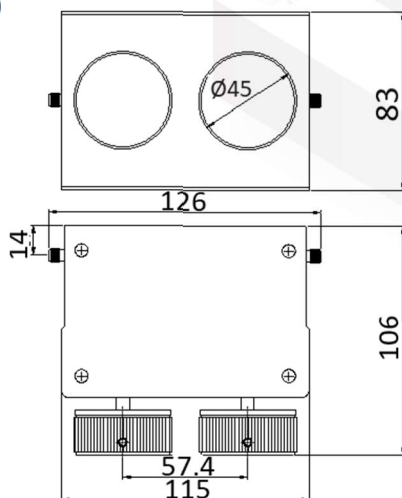
MATERIALS

CONNECTOR: BRASS, NICKEL PLATED
MALE PIN: BRASS, GOLD PLATED
FEMALE PIN: BERYLLIUM COPPER, GOLD PLATED
BODY: ALUMINUM, BLUE PAINT

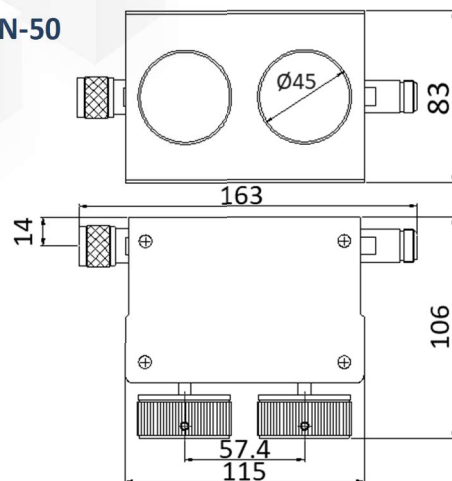
Tolerance: ±5%

Outline Drawing (Unit: mm)

MVE2R80-50



MVE2R80N-50



NOTES:

1. ALL SPECIFICATIONS ARE SUBJECT TO CHANGE WITHOUT NOTICE AT ANY TIME
2. CUSTOMER OUTLINE DRAWING FOR REFERENCE ONLY

