



ROTARY ATTENUATOR

MVE2R72-50

DC to 18GHz

MVE2R72-50 -----0-50dB

MVE2R72-50-69-----0-69dB

Features

- ✓ Excellent Accuracy Value
- ✓ Full Attenuation Range: 50dB(MVE2R72-50) ; 69dB(MVE2R72-50-69)
- ✓ Low VSWR, unconditional stable
- ✓ SMA female connector I/O

Specifications

PART NUMBER	IMPEDANCE	FREQUENCY	ATTENUATION STEP	INSERTION LOSS(MAX.)	VSWR (MAX.)	CONNECTOR
MVE2R72-50	50 OHMS	DC – 18GHz	0-50 dB 1dB&10dB steps	1.5dB	1.75:1	SMA FEMALE
MVE2R72-50-69	50 OHMS	DC – 18GHz	0-69 dB 1dB&10dB steps	1.5dB	1.75:1	SMA FEMALE

ATTENUATION ACCURACY

- ±0.8 dB (≤9dB)
- ±1.0 dB (10-19dB)
- ±1.5 dB (20-49dB)
- ±2.0 dB (50-69dB)

POWER HANDLING

- AVG. POWER: 2Watts @25°C
- PEAK POWER: 200W(5μs pulse width with 1% duty cycle)

MATERIALS

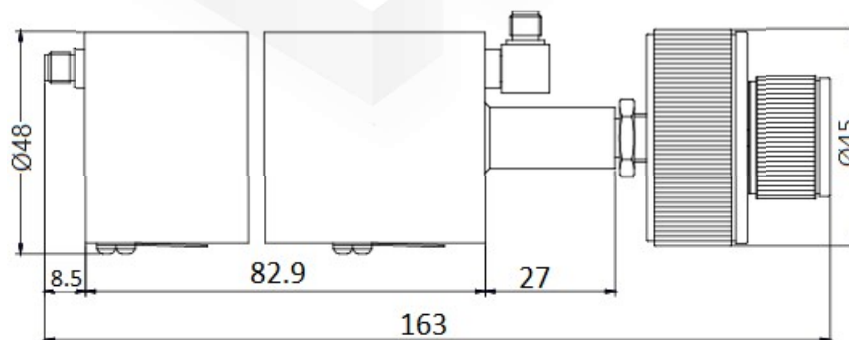
CONNECTOR: STAINLESS STEEL, PASSIVATED
CENCTOR CONDUCTOR: BERYLLIUM COPPER, GOLD PLATED
BODY: ALUMINUM

ENVIRONMENTAL

TEMPERATURE RANGE: 0°C TO +54°C

Tolerance: ±0.5%

Outline Drawing (Unit: mm)



NOTES:
1. ALL SPECIFICATIONS ARE SUBJECT TO CHANGE WITHOUT NOTICE AT ANY TIME
2. CUSTOMER OUTLINE DRAWING FOR REFERENCE ONLY

