



FIXED ATTENUATOR

MVE2214-XX

DC to 26.5GHz

Features

- ✓ Frequency up to 26.5GHz
- ✓ High Accuracy
- ✓ Low VSWR

Specifications

PART NUMBER	IMPEDANCE	FREQUENCY	VSWR	AVERAGE POWER	PEAK POWER	CONNECTOR TYPE
MVE2214-XX	50 ohm	DC – 26.5GHz	1.35:1 @ 26.5GHz 1.30:1 @ 18 GHz	2Watts	500Watts	SMA

-XX: Insert dB value desired

ATTENUATION ACCURACY

- 01-10dB: ±1.0
- 11-20dB: ±1.0
- 21-30dB: ±1.5

MATERIAL/FINISH

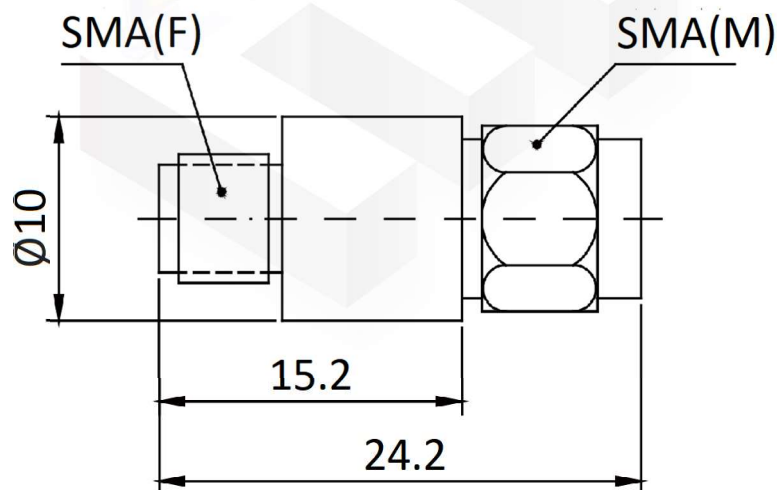
- MATERIAL BODY: BRASS GOLD PLATED
- MALE PIN: BRASS GOLD PLATED
- FEMALE PIN: BERYLLIUM COPPER GOLD PLATED
- CENTER CONTACT: BRASS GOLD PLATED

ENVIRONMENTAL

TEMPERATURE RANGE: -55°C TO +125°C

Tolerance: X= ±5%

Outline Drawing (Unit: mm)



NOTES:

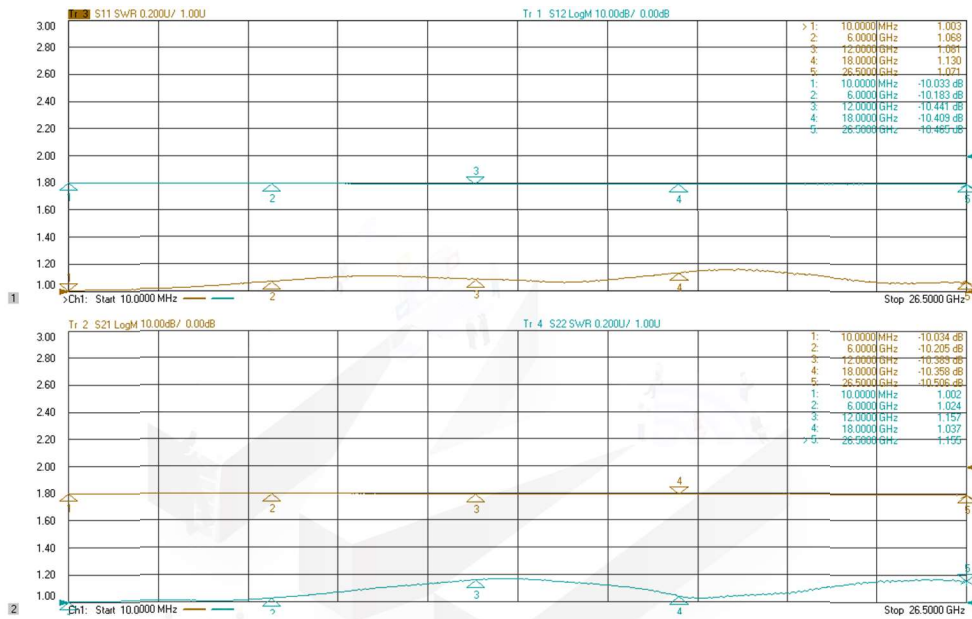
1. ALL SPECIFICATIONS ARE SUBJECT TO CHANGE WITHOUT NOTICE AT ANY TIME
2. CUSTOMER OUTLINE DRAWING FOR REFERENCE ONLY



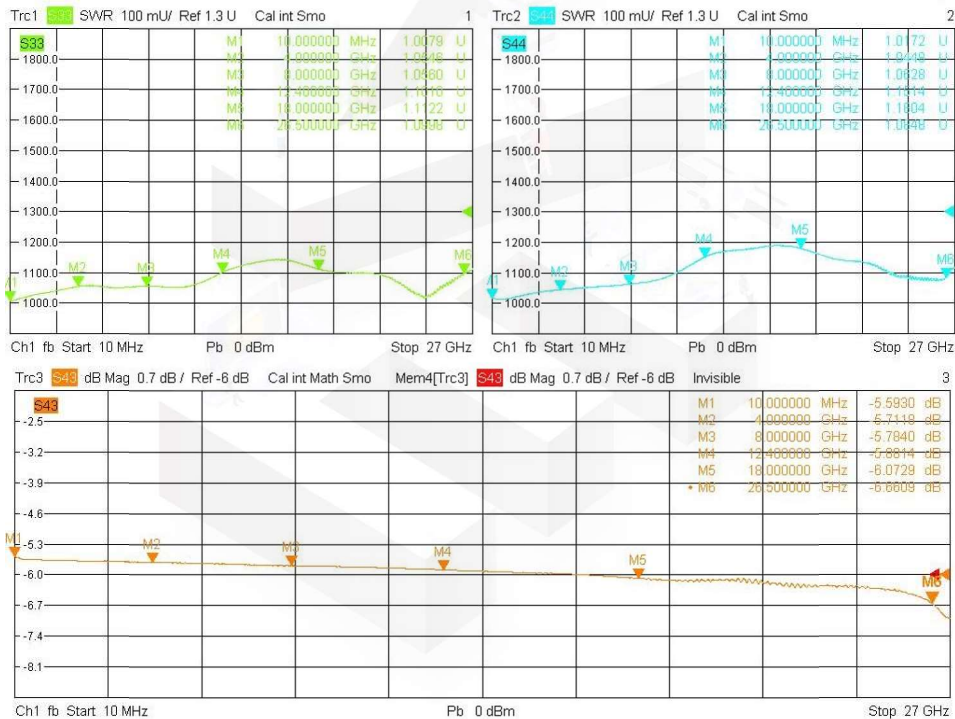


Typical Test Result

(MVE2214-10)



(MVE2214-06)



NOTES:

1. ALL SPECIFICATIONS ARE SUBJECT TO CHANGE WITHOUT NOTICE AT ANY TIME
2. CUSTOMER OUTLINE DRAWING FOR REFERENCE ONLY

