



FIXED ATTENUATOR

F TYPE
5 to 3000MHz

Features

- ✓ Frequency Range: 5 to 3000MHz
- ✓ High Accuracy
- ✓ High performance design



Specifications

| PART NUMBER | IMPEDANCE | FREQUENCY | STANDARD VALUE | AVERAGE POWER | CONNECTOR TYPE |
|-------------|-----------|-----------|--------------------------------------|---------------|-------------------|
| MVE2117-XX | 75 ohms | 5-3000MHz | 1,2,3,5,6,8,10,12, 14,16,18,20,30 | ≤1 Watt | F Male - F Female |

-XX: Insert dB value desired

ATTENUATION ACCURACY

1-20dB: ±1.2dB
30dB: ±2.0dB

RETURN LOSS

1-30dB: ≥14dB

MATERIALS/FINISH

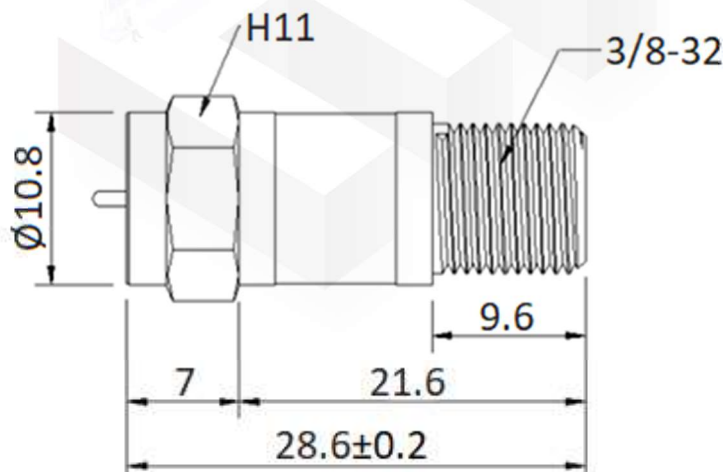
BODY: COPPER, NICKEL PLATED
CENTER CONTACT: COPPER, GOLD PLATED
INSULATOR: POM

ENVIRONMENTAL

TEMPERATURE RANGE: -10°C TO +60°C

Tolerance: ±0.5mm

Outline Drawing (Unit: mm)



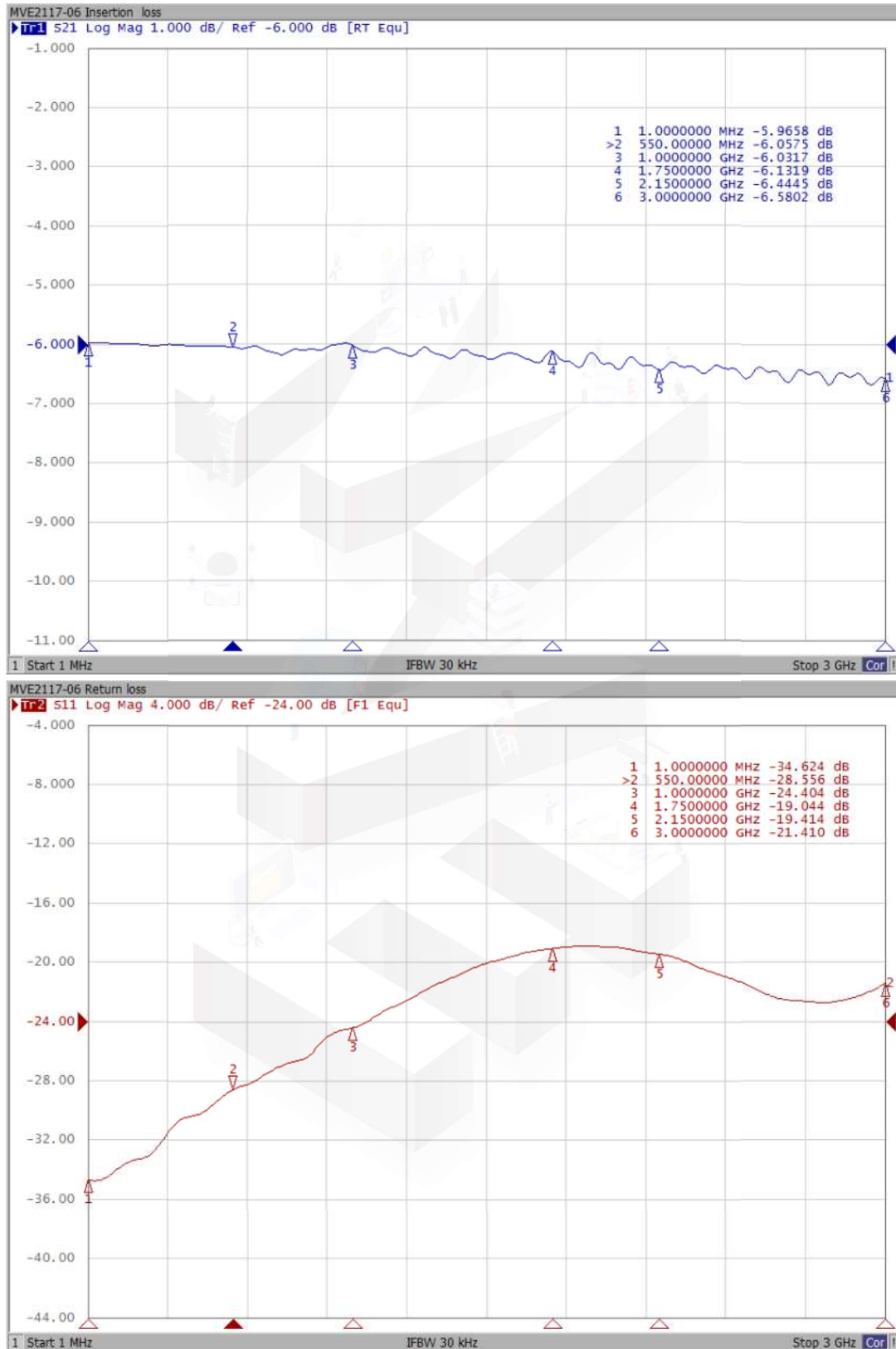
NOTES:
1. ALL SPECIFICATIONS ARE SUBJECT TO CHANGE WITHOUT NOTICE AT ANY TIME
2. CUSTOMER OUTLINE DRAWING FOR REFERENCE ONLY





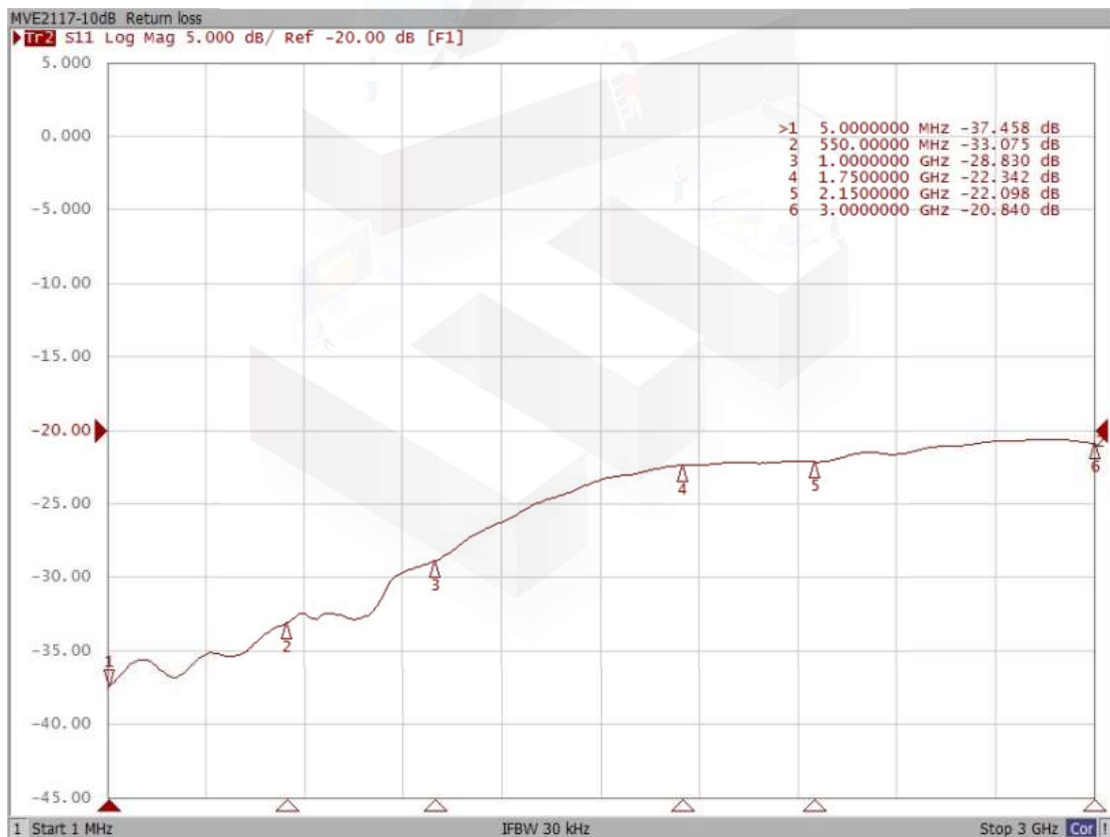
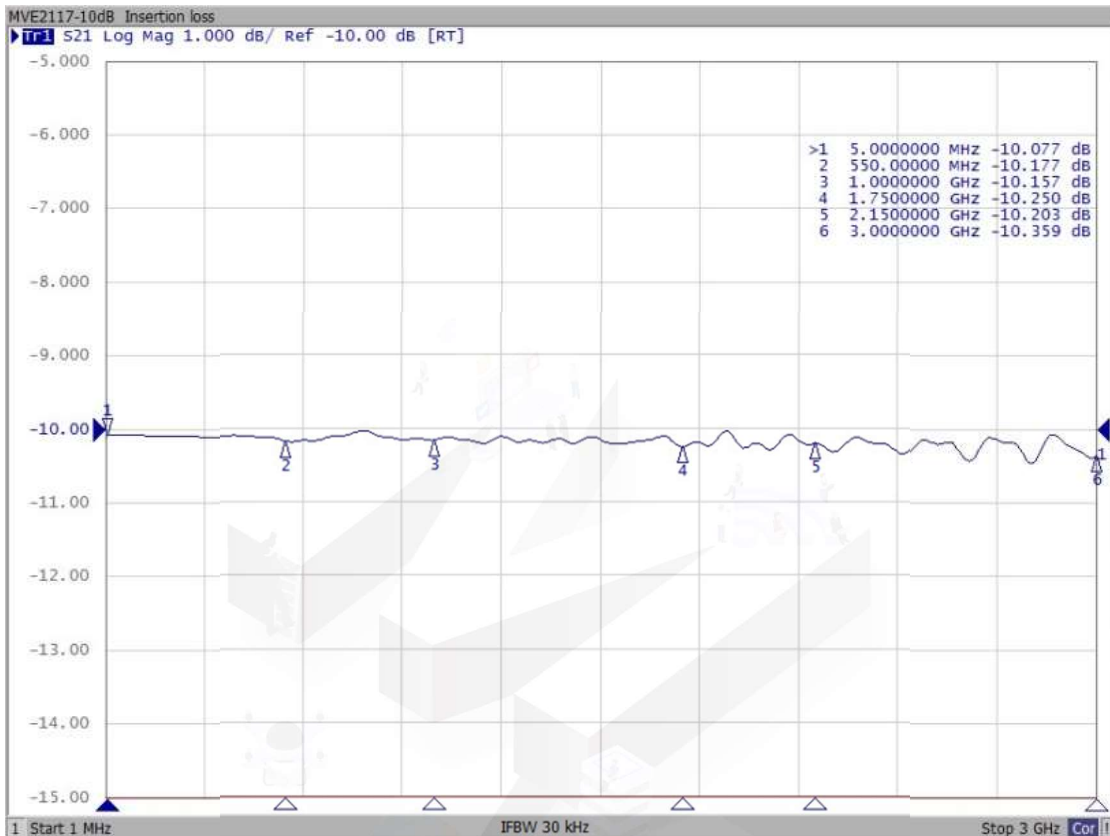
Typical Test Result

(MVE2117-06)





(MVE2117-10)





(MVE2117-20)

