

ELECTRICAL DATA

FREQUENCY : DC-9GHz

IMPEDANCE: 50Ω

VSWR:1.3:1 MAX. (DC-3GHz) / 1.5:1 TYP. (3-9GHz)

INSULATION RESISTANCE: 1000 Mega-Ohms

DIELECTRIC WITHSTANDING VOLTAGE: 500Vrms

CENTER CONTACT RESISTANCE: 10.0 Mini-Ohms

OUTER CONTACT RESISTANCE: 6.0 Mini-Ohms

MECHANICAL DATA

COUPLING METHOD: FLOATING/SNAP-ON

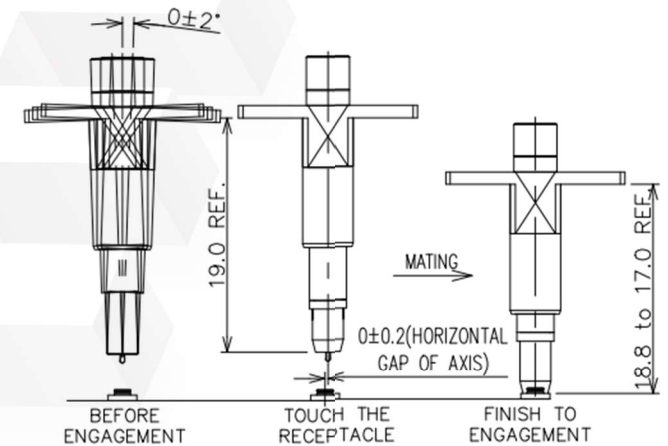
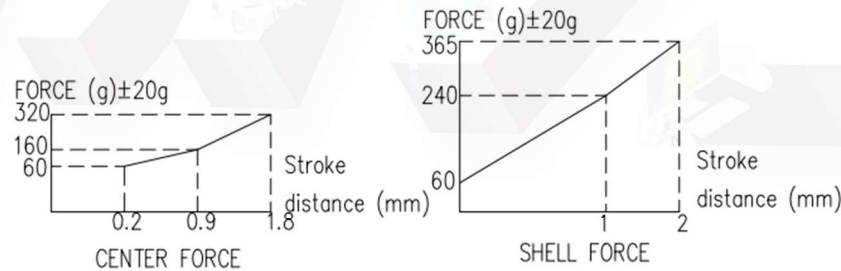
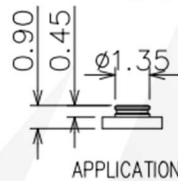
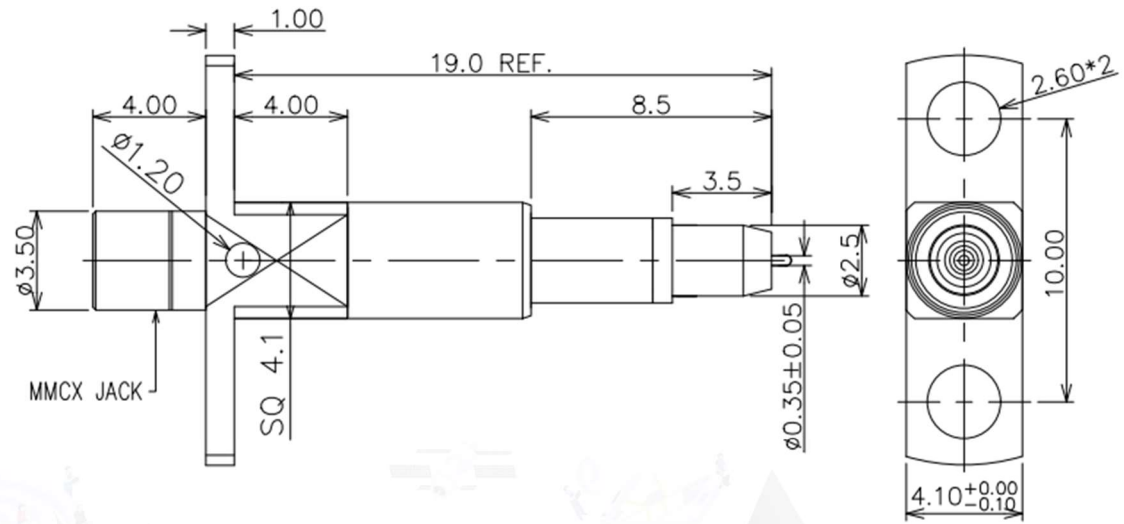
TEMPERATURE RANGE: -65~165°C

DURABILITY:MMCX-500 CYCLES MIN.

MM8030-30K CYCLES MIN.

APPLICATION

Fully mating with MM8030



DESCRIPTION	MATERIALS	ROHS COMPLIANCE	UNIT: mm
BODY	BRASS,GOLD PLATED	TOLERANCE: X=±0.38 X.X=±0.25 X.XX=±0.15	
INNER SHELL	BRASS,GOLD PLATED	TITLE MMCX Female To MM8030 Probe Adapter ,DC-9GHz	
SPRING	SUS304		
INNER INSULATOR	TEFLON		

芝程科技有限公司
 Marvelous Microwave Inc.

www.micro-mve.com sales@micro-mve.com +886-2-2602-0660

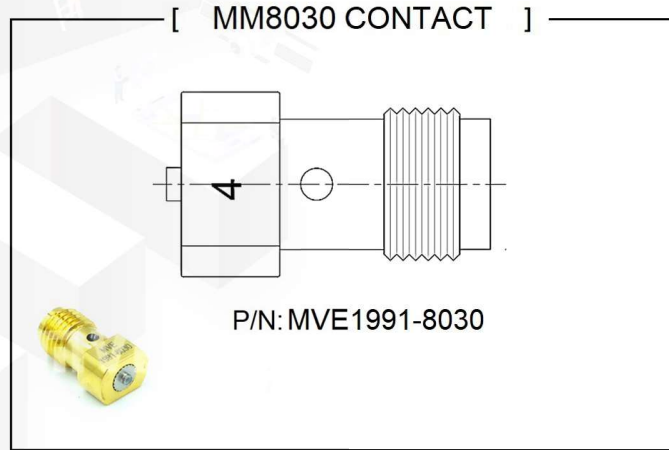
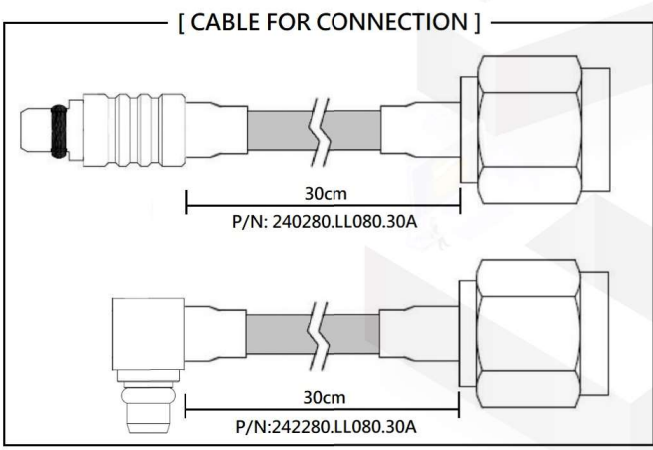
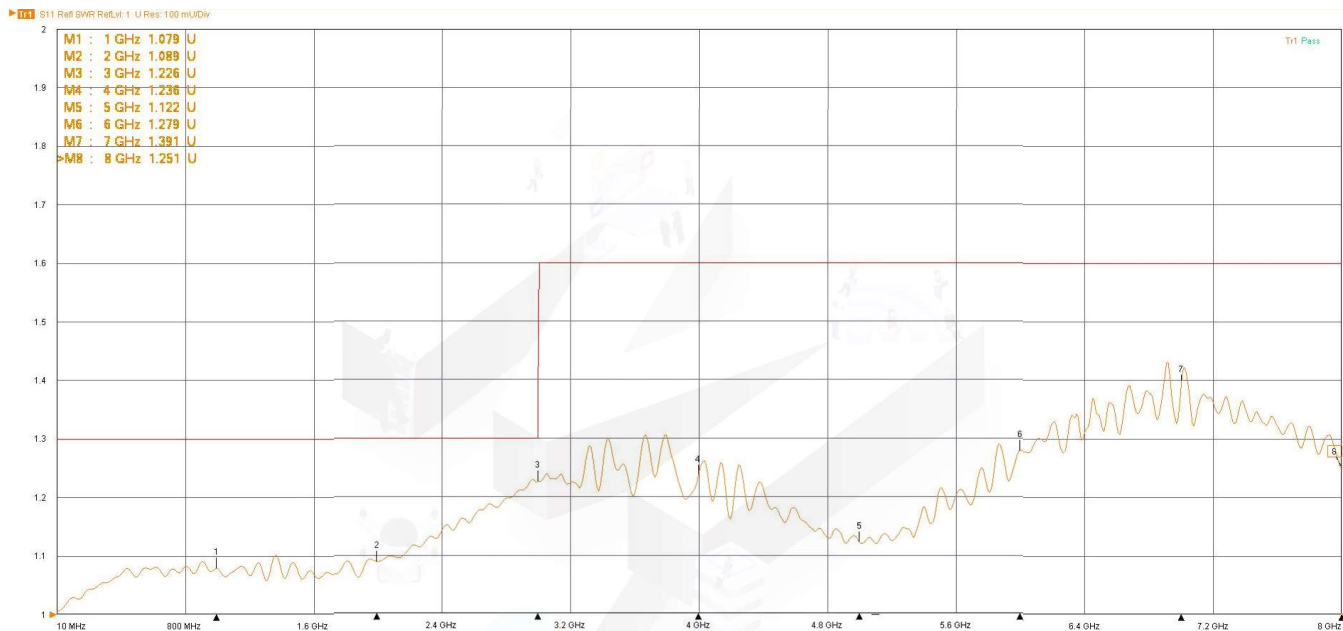
PART NO.	MVE1999-1.35H	REV
		1.4
SIZE: A	SHEET: 1/1	SCALE:

NOTES

1. ALL SPECIFICATIONS ARE SUBJECT TO CHANGE WITHOUT NOTICE AT ANY TIME
2. CUSTOMER OUTLINE DRAWING FOR REFERENCE ONLY

Typical Test Result

PART NUMBER	DESCRIPTION
MVE1999-1.35H	MMCX Female To MM8030 Probe Adapter ,DC-9GHz



NOTES

1. ALL SPECIFICATIONS ARE SUBJECT TO CHANGE WITHOUT NOTICE AT ANY TIME
2. CUSTOMER OUTLINE DRAWING FOR REFERENCE ONLY