

ELECTRICAL DATA

FREQUENCY : DC-9GHz

IMPEDANCE: 50Ω

VSWR: 1.3:1MAX. (DC-6GHz)/ 1.5:1 TYP.(9GHz)

INSULATION RESISTANCE: 1000 Mega-Ohms

DIELECTRIC WITHSTANDING VOLTAGE: 500Vrms

MECHANICAL DATA

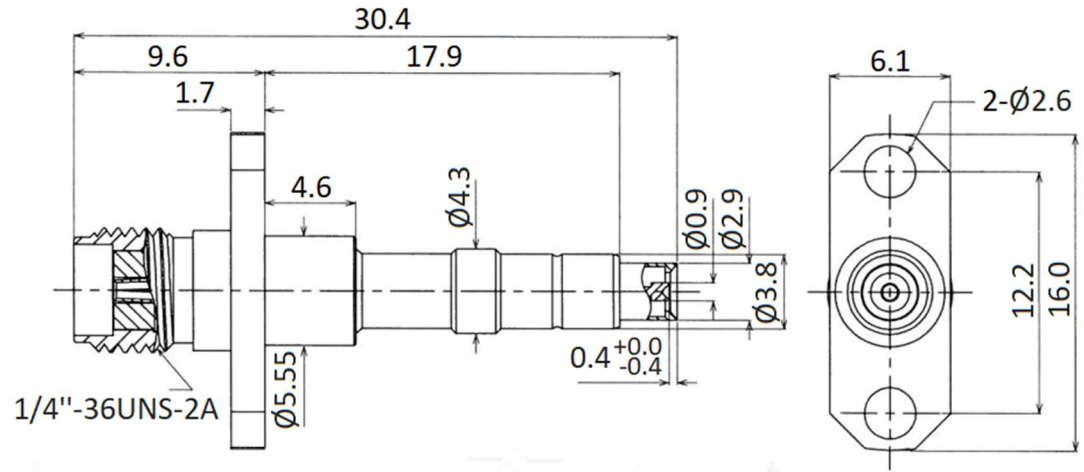
COUPLING METHOD: THREADED

TEMPERATURE RANGE: -65~165°C

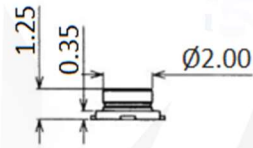
DURABILITY: 5000 CYCLES MIN.

APPLICATION

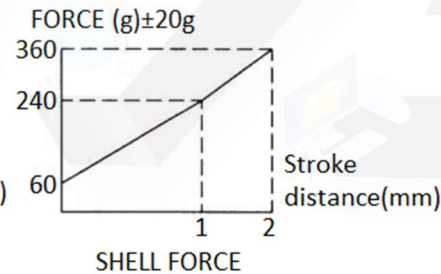
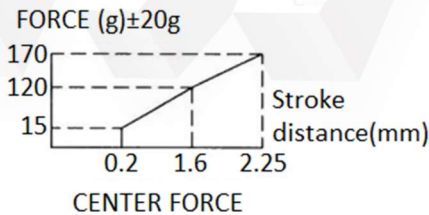
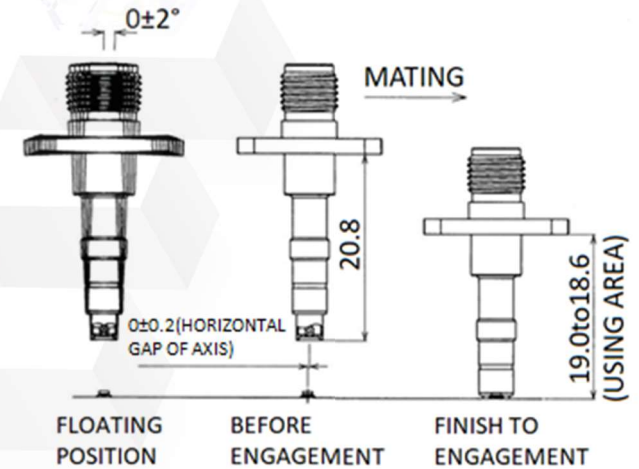
Fully mating with Hirose U.FL , IPEX MHF.



△ Permanent damage may occur if using distance(2.9mm) are exceeded.



APPLICATION THE VIEW 2:1



DESCRIPTION	MATERIALS	ROHS COMPLIANCE	UNIT: mm
BODY	BRASS/BE CU, GOLD PLATED	TOLERANCE: X=±0.38 X.X=±0.25 X.XX=±0.15	
CENTER CONTACT	PH BR/STEEL, GOLD PLATED	TITLE U.FL/MHF To SMA Female 2 Hole Probe Adapter, DC-9GHz(Low pin)	
SPRING	STAINLESS SUS304, GOLD PLATED		
INSULATOR	TEFLON		

MVE 芝程科技有限公司
Marvelous Microwave Inc.
www.micro-mve.com sales@micro-mve.com +886-2-2602-0660

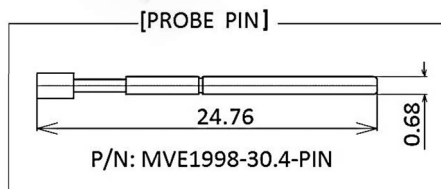
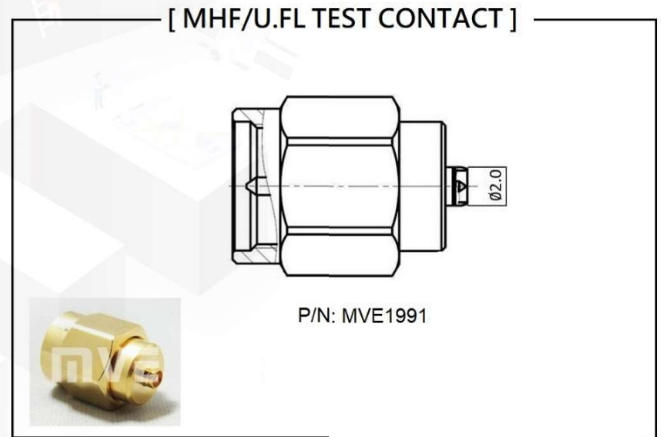
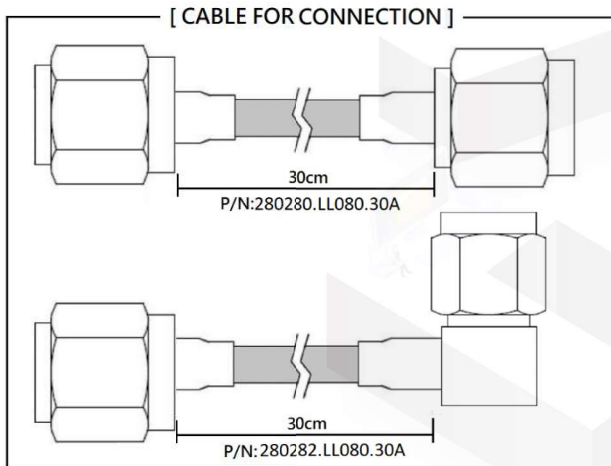
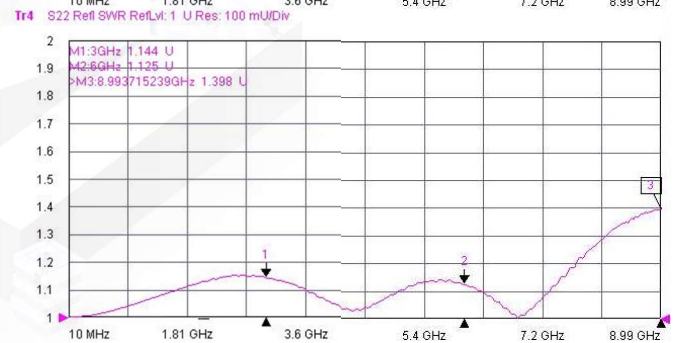
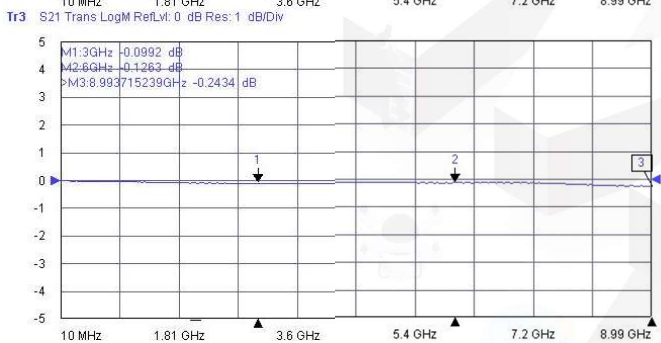
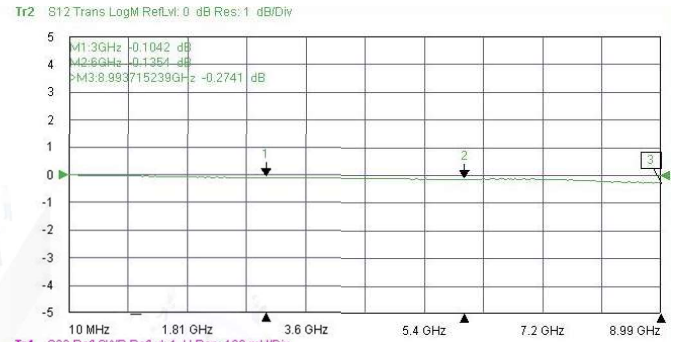
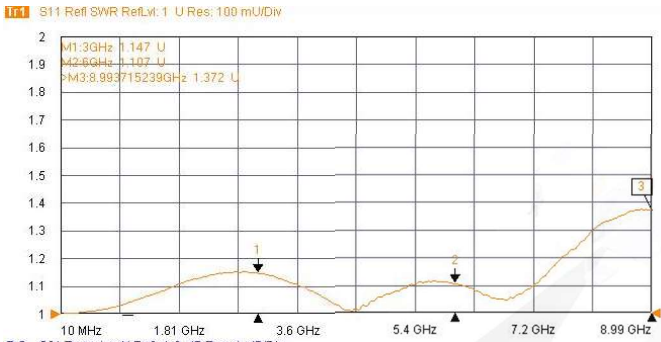
PART NO.	MVE1998-30.4C	REV	1.5
SIZE: A	SHEET: 1/1	SCALE:	

NOTES

1. ALL SPECIFICATIONS ARE SUBJECT TO CHANGE WITHOUT NOTICE AT ANY TIME
2. CUSTOMER OUTLINE DRAWING FOR REFERENCE ONLY

Typical Test Result

PART NUMBER	DESCRIPTION
MVE1998-30.4C	U.FL/MHF To SMA Female 2 Hole Probe Adapter, DC-9GHz(Low pin)



NOTES

1. ALL SPECIFICATIONS ARE SUBJECT TO CHANGE WITHOUT NOTICE AT ANY TIME
2. CUSTOMER OUTLINE DRAWING FOR REFERENCE ONLY