



# COAXIAL ADAPTER

# SMA-RSW180 Female Standard Series

## Features

- ✓ Frequency up to 12 GHz
- ✓ Low VSWR
- ✓ High Durability

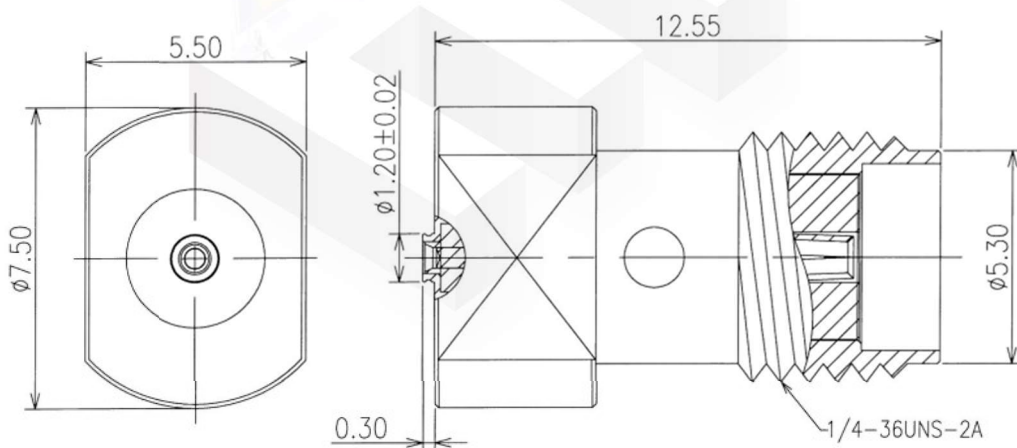


## Specifications

<b>PART NUMBER</b>	MVE1991H-180
<b>DESCRIPTION</b>	SMA Female To RSW180 Female Adapter, DC-12GHz
<b>ELECTRICAL</b>	<b>MATERIALS</b>
FREQUENCY: DC-12GHz IMPEDANCE: 50OHM VSWR:DC-3G≤1.2 , DC-8G≤1.35 , DC-12G≤1.6 DIELECTRIC WITHSTANDING VOLTAGE: 500 Vrms WORKING VOLTAGE: 170 Vrms MAX. INSULATION RESISTANCE: 1000 Mega Ohms CENTER CONTACT RESISTANCE: 6.0 Mini Ohms OUTER CONTACT RESISTANCE: 2.5 mini Ohms DURABILITY(MATING/UNMATING): 3000 Cycles	SMA BODY: BRASS GOLD PLATED PLUG BODY: SUS303 CENTER CONTACT: PHOSPHOR BRONZE GOLD PLATED INSULATOR: TEFLON

Tolerance: X= ±0.38 .X=±0.25 .XX=±0.15

## Outline Drawing (Unit: mm)



NOTES:  
1. ALL SPECIFICATIONS ARE SUBJECT TO CHANGE WITHOUT NOTICE AT ANY TIME  
2. CUSTOMER OUTLINE DRAWING FOR REFERENCE ONLY

