

## ELECTRICAL DATA

FREQUENCY : DC-6GHz

IMPEDANCE: 50Ω

VSWR: 1.50:1@ 6GHz

INSULATION RESISTANCE: 1000Mega-ohms

DIELECTRIC WITHSTANDING: 500Vrms

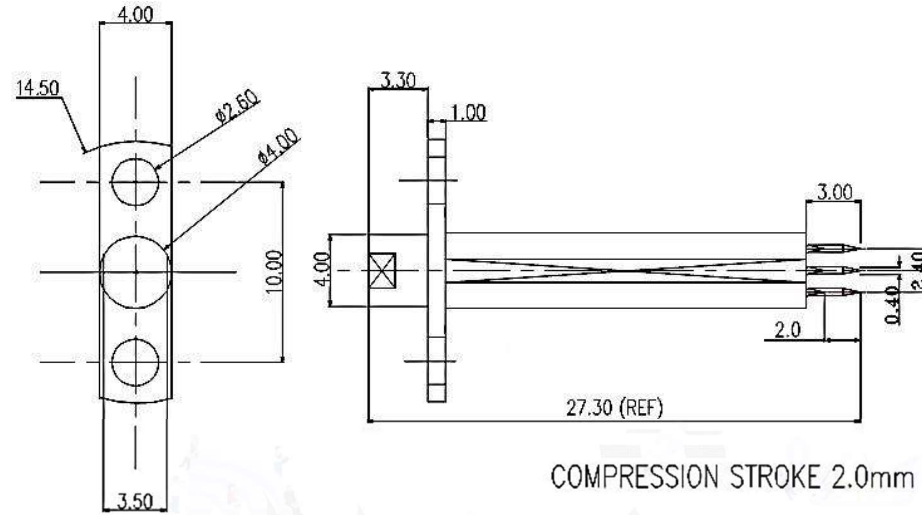
## MECHANICAL DATA

COUPLING METHOD: THREADED

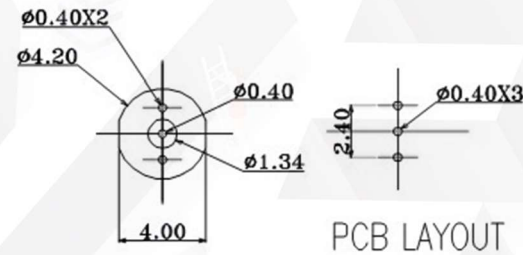
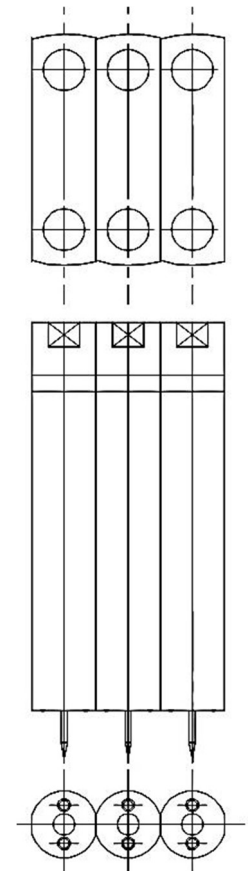
TEMPERATURE RANGE: -65-165° C

DURABILITY: 5000 CYCLES

## ROHS COMPLIANCE



## TOP VIEW



PCB LAYOUT

DESCRIPTION	MATERIALS	ROHS COMPLIANCE	UNIT: mm
BODY	BRASS, GOLD PLATED	TOLERANCE: X=±0.2 X.X=±0.1 X.XX=±0.05	
CONTACT PIN	BRASS, GOLD PLATED	TITLE	
INSULATOR	TEFLON	MMCX Female To RF PCB Probe, DC-6GHz,(PITCH:2.4mm)	
SPRING	STAINLESS SUS304		

### NOTES

1. ALL SPECIFICATIONS ARE SUBJECT TO CHANGE WITHOUT NOTICE AT ANY TIME
2. CUSTOMER OUTLINE DRAWING FOR REFERENCE ONLY

**MVE** 芝程科技有限公司  
Marvelous Microwave Inc.  
www.micro-mve.com sales@micro-mve.com +886-2-2602-0660



PART NO.	<b>MVE1982-2.4</b>	REV	2.2
SIZE: A	SHEET: 1/1	SCALE:	