


## ELECTRICAL DATA

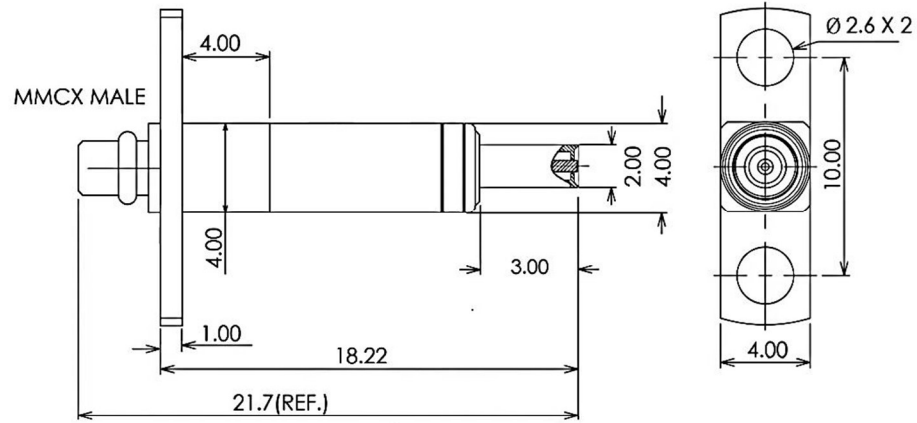
FREQUENCY : DC-6GHz  
 IMPEDANCE: 50Ω  
 VSWR:1.35:1Max(6GHz)

## MECHANICAL DATA

COUPLING METHOD: PRESS DOWN  
 TEMPERATURE RANGE: -45~+165℃  
 DURABILITY(MATING/UNMATING):10000 Cycles

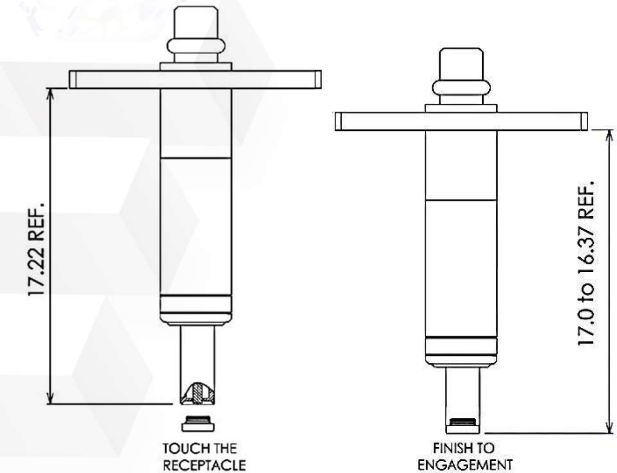
## APPLICATION

Fully mating with   
 MHF4(P/N#20448-001E),  
 MHF5(X.FL)



## NOTES

- ✓ Dobult-Spring degsin
- ✓ Installation Height: 18.22mm (0.72")
- ✓ Working Distance: from 17.22 to 16.37mm
- ✓ Test Probe Cable Assembly(Recommend):  
 250280.SPF085.30A(180° ) ,252280.SPF085.30A(90° )



DESCRIPTION	MATERIALS	ROHS COMPLIANCE	UNIT: mm
BODY	BRASS, NICKLE PLATED/ GOLD PLATED(GND)	TOLERANCE: X=±0.38 X.X=±0.25 X.XX=±0.15	
PRESS CENTER CONTACT	BRASS, GOLD PLATED	TITLE MMCX Male To MHF4/ MHF5 Plug Probe Adapter, DC-6GHz	
SPRING	STAINLESS TEEL		
INSULATOR	TEFLON/WHITE		

## NOTES

1. ALL SPECIFICATIONS ARE SUBJECT TO CHANGE WITHOUT NOTICE AT ANY TIME
2. CUSTOMER OUTLINE DRAWING FOR REFERENCE ONLY

**MVE** 芝程科技有限公司  
 Marvelous Microwave Inc.  
 www.micro-mve.com sales@micro-mve.com +886-2-2602-0660



PART NO.		REV
MVE1969		3.1
SIZE: A	SHEET: 1/1	SCALE: