

## ELECTRICAL DATA

REQUENCY : DC-8GHz

IMPEDANCE: 50Ω

VSWR:1.3:1 MAX. (DC-6GHz) / 1.5:1 MAX. (6-8GHz)

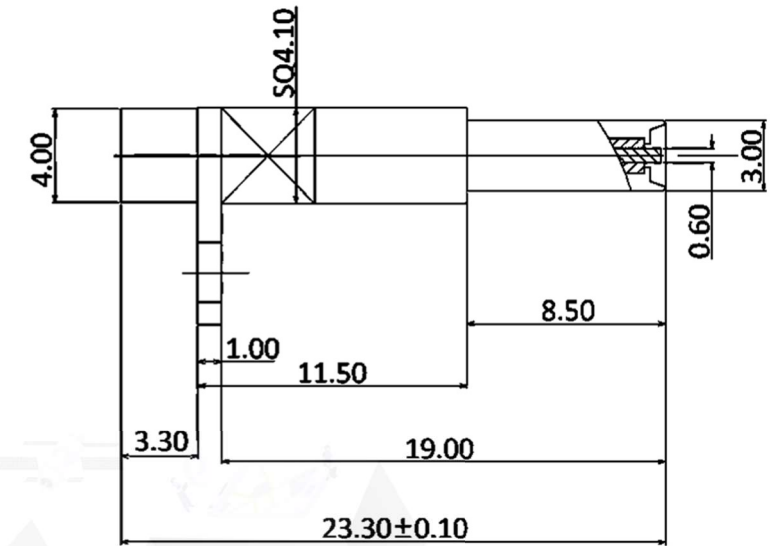
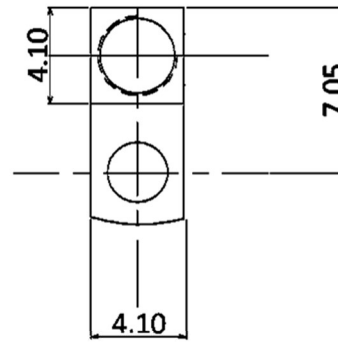
DIELECTRIC WITHSTANDING VOLTAGE: 500 Vrms

WORKING VOLTAGE: 170 Vrms MAX.

INSULATION RESISTANCE: 1000Mega Ohms

CENTER CONTACT RESISTANCE: 6.0 mini Ohm

OUTER CONTACT RESISTANCE: 2.5 mini Ohm



## MECHANICAL DATA

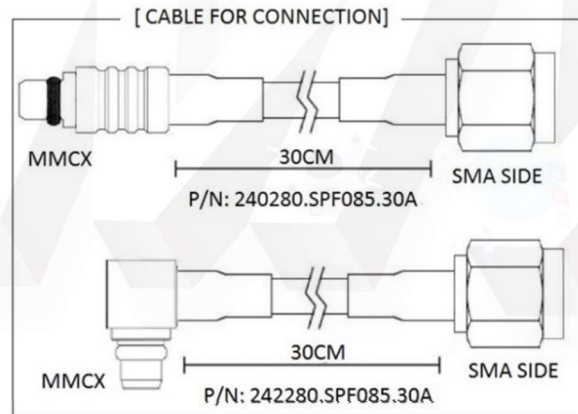
DOUBLT SPRING DESIGN

DURABILITY(MATING/UNMATING):10,000 Cycles

## APPLICATION



Fully mating with Hirose U.FL , IPEX MHF.



## TYP. TEST RESULT



DESCRIPTION	MATERIALS	ROHS COMPLIANCE	UNIT: mm
SPRING	SUS304	TOLERANCE: X=±0.2 X.X=0.01 X.XX=±0.05	
INSULATOR	TEFLON	TITLE	
BADY	TEFLON BRASS,GOLD PLATED	MMCX Female To U.FL Probe(UNILATERAL) Adapter, DC-8GHz	



### 芝程科技有限公司

Marvelous Microwave Inc.

www.micro-mve.com sales@micro-mve.com +886-2-2602-0660



PART NO.	<b>MVE1968-SP</b>	REV
		<b>2.1</b>
SIZE: A	SHEET: 1/1	SCALE:

### NOTES

1. ALL SPECIFICATIONS ARE SUBJECT TO CHANGE WITHOUT NOTICE AT ANY TIME
2. CUSTOMER OUTLINE DRAWING FOR REFERENCE ONLY