

ELECTRICAL DATA

FREQUENCY : DC-6GHz

IMPEDANCE: 50Ω

VSWR:1.3:1 MAX.

DIELECTRIC WITHSTANDING VOLTAGE: 500 Vrms

WORKING VOLTAGE: 170 Vrms MAX.

INSULATION RESISTANCE: 1000Mega Ohms

CENTER CONTACT RESISTANCE: 6.0 mini Ohm

OUTER CONTACT RESISTANCE: 2.5 mini Ohm

MECHANICAL DATA

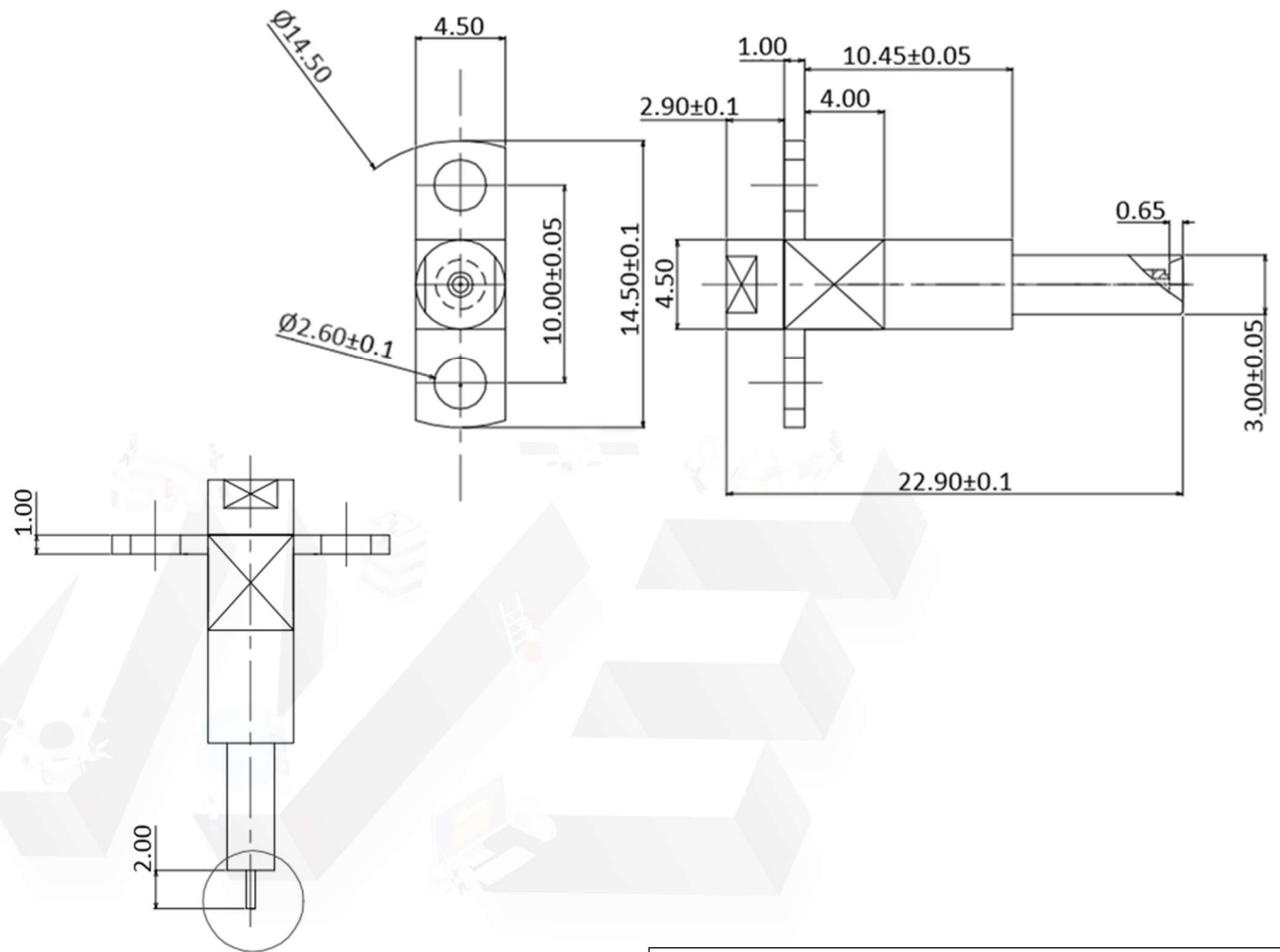
COUPLING METHOD:THREADED

DURABILITY(MATING/UNMATING):10,000 Cycles

APPLICATION



Fully mating with Hirose U.FL , IPEX MHF.



COMPRESSION STROKE

DESCRIPTION	MATERIALS	ROHS COMPLIANCE	UNIT: mm
BODY	BRASS, GOLD PLATED	TOLERANCE:±0.1	
CENTER PIN	BRASS,GOLD PLATED	TITLE	
SPRING	SUS304	U.FL/MHF To MMCX Female 2 Hole Adapter, DC-6GHz	
INSULATOR	TEFLON		

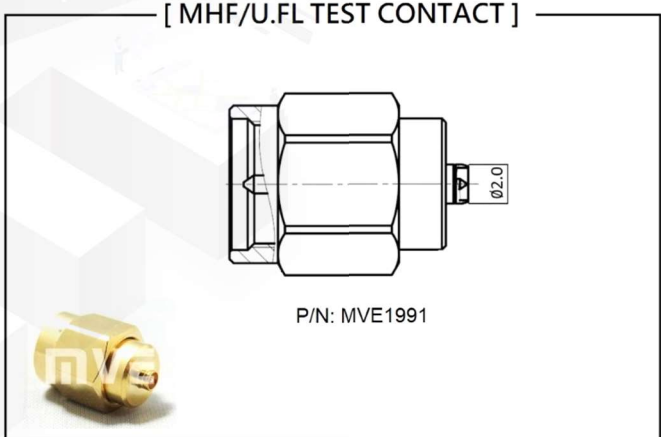
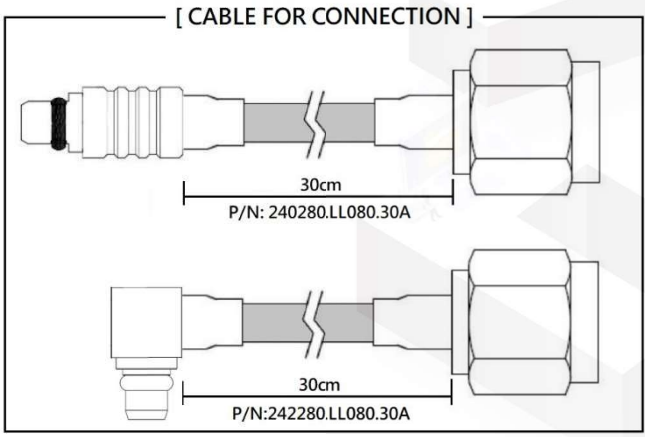
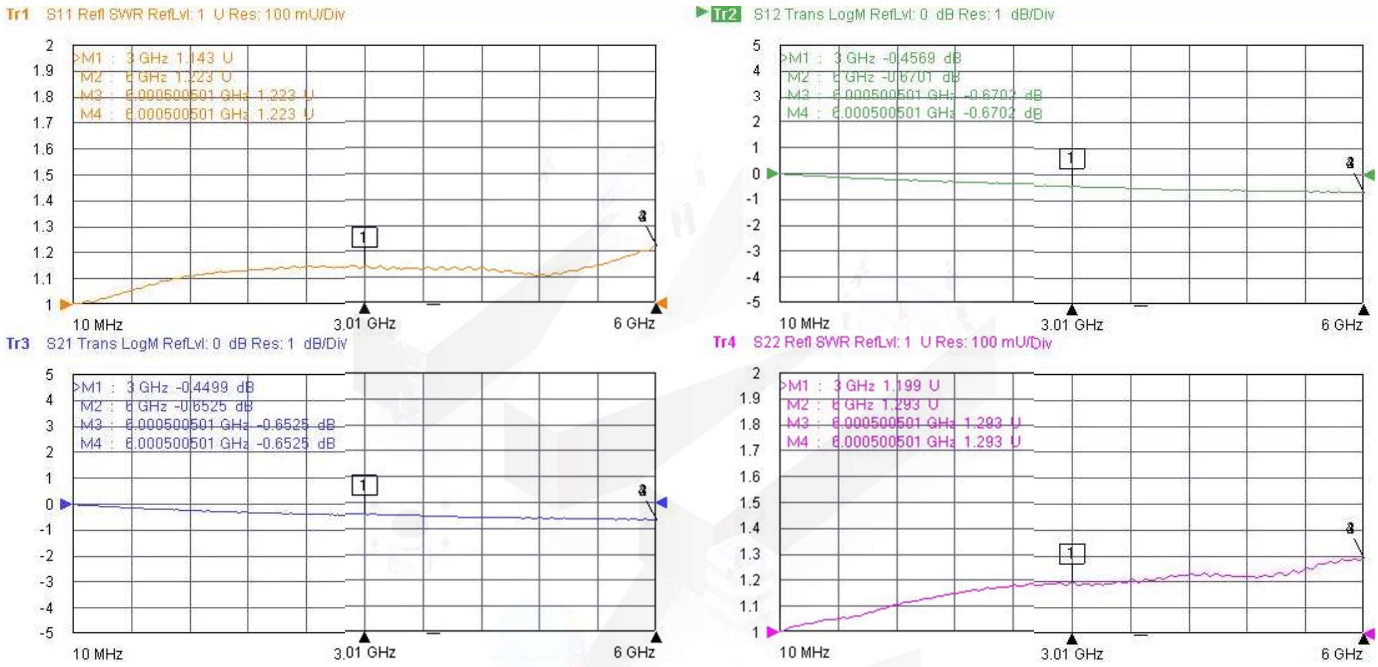
 芝程科技有限公司 Marvelous Microwave Inc. www.micro-mve.com sales@micro-mve.com +886-2-2602-0660		
PART NO.		REV
MVE1968-S		2.2
SIZE: A	SHEET: 1/1	SCALE:

NOTES

1. ALL SPECIFICATIONS ARE SUBJECT TO CHANGE WITHOUT NOTICE AT ANY TIME
2. CUSTOMER OUTLINE DRAWING FOR REFERENCE ONLY

Typical Test Result

PART NUMBER	DESCRIPTION
MVE1968-S	MMCX Female To U.FL Probe Adapter, DC-6GHz



NOTES

1. ALL SPECIFICATIONS ARE SUBJECT TO CHANGE WITHOUT NOTICE AT ANY TIME
2. CUSTOMER OUTLINE DRAWING FOR REFERENCE ONLY