

ELECTRICAL DATA

FREQUENCY : DC-9GHz
 IMPEDANCE: 50Ω
 VSWR:1.3:1 MAX. (DC-3GHz) / 1.5:1 TYP. (3-9GHz)
 DIELECTRIC WITHSTANDING VOLTAGE: 500 Vrms
 WORKING VOLTAGE: 170 Vrms MAX.
 INSULATION RESISTANCE: 1000Mega Ohms
 CENTER CONTACT RESISTANCE: 10.0 mini Ohm
 OUTER CONTACT RESISTANCE: 6.0 mini Ohm

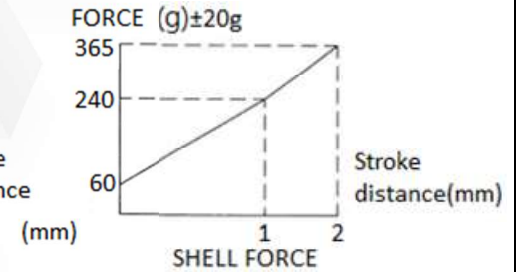
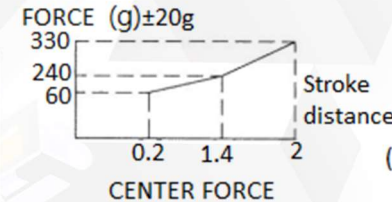
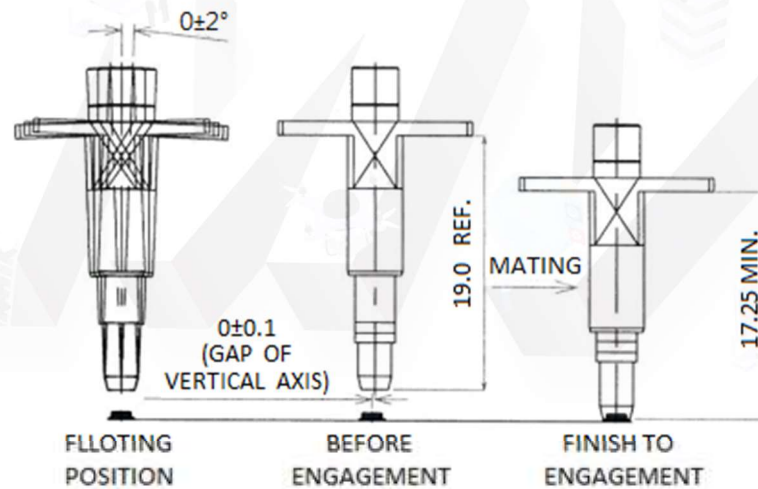
MECHANICAL DATA

COUPLING MRTHOD:FLOATING/SNAP-ON
 DURABILITY(MATING/UNMATING):
 MMCX:500 Cycles
 MHF4(20448):30K Cycles
 TEMPERATURE RANGE:-65°C to 165°C

APPLICATION



Fully mating with IPEX MHF4.



MVE 芝程科技有限公司
 Marvelous Microwave Inc.
 www.micro-mve.com sales@micro-mve.com +886-2-2602-0660



DESCRIPTION	MATERIALS	ROHS COMPLIANCE	UNIT: mm
SPRING	SUS304	TOLERANCE: X=±0.38 X.X=0.25 X.XX=±0.15	
INSULATOR	TEFLON	TITLE MMCX Female To MHF4 Male Probe Adapter, DC-9GHz	
FRONT BODY	SUS303,GOLD PLATED		
MIDDLE BODY	BRASS,GOLD PLATED		

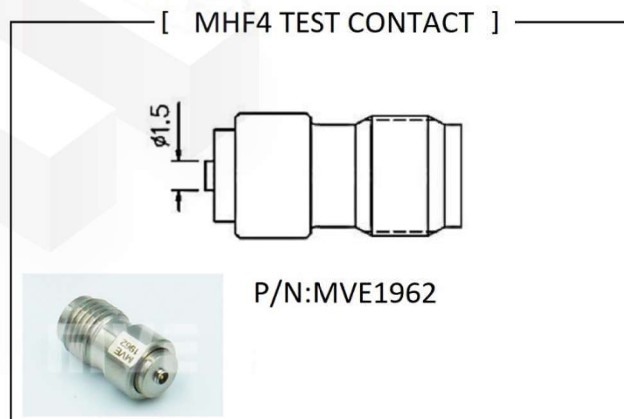
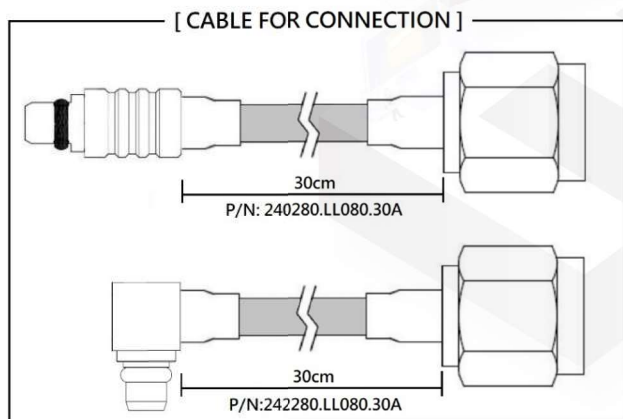
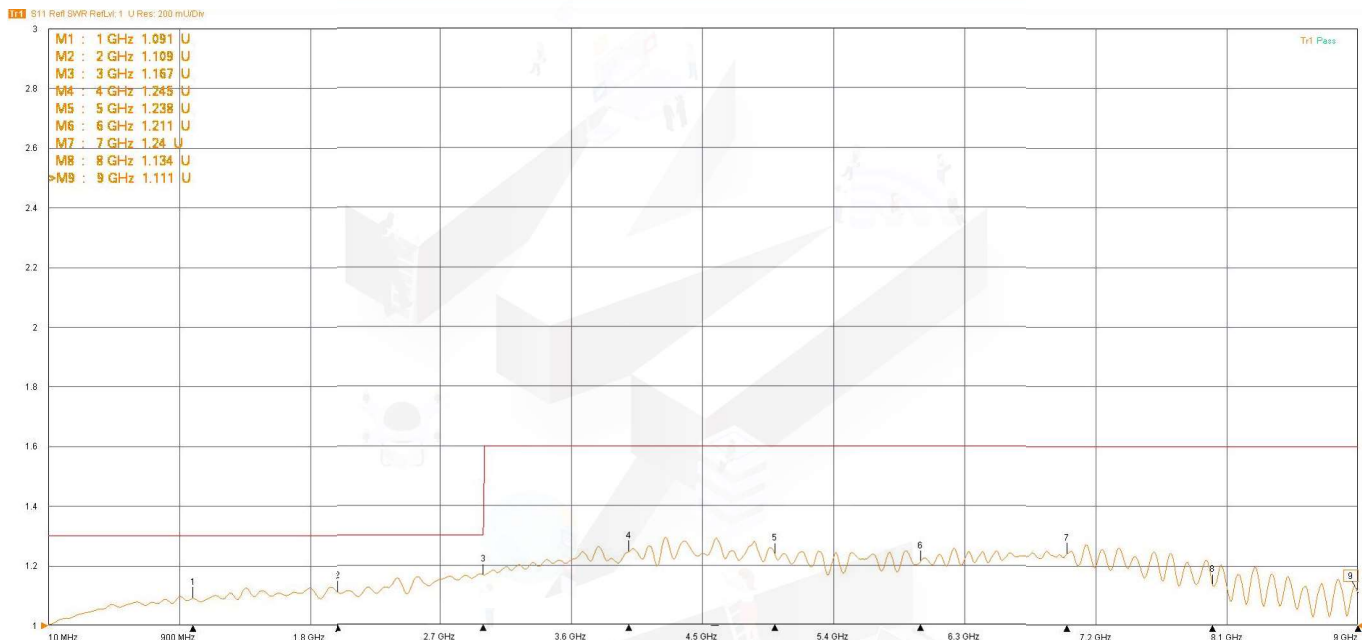
PART NO.	MVE1967H	REV 1.4
SIZE: A	SHEET: 1/1	SCALE:

NOTES

1. ALL SPECIFICATIONS ARE SUBJECT TO CHANGE WITHOUT NOTICE AT ANY TIME
2. CUSTOMER OUTLINE DRAWING FOR REFERENCE ONLY

Typical Test Result

PART NUMBER	DESCRIPTION
MVE1967H	MMCX Female To MHF4 Male Probe Adapter, DC-9GHz



NOTES

1. ALL SPECIFICATIONS ARE SUBJECT TO CHANGE WITHOUT NOTICE AT ANY TIME
2. CUSTOMER OUTLINE DRAWING FOR REFERENCE ONLY