

ELECTRICAL DATA

FREQUENCY : DC-6GHz

IMPEDANCE: 50Ω

VSWR: 1.3:1Max. (3GHz)

1.6:1Max. (6GHz)

INSERTION LOSS: 1 dB Max.

DIELECTRIC WITHSTANDING VOLTAGE: 500 Vrms

INSULATION RESISTANCE: 1000Mega Ohms

CENTER CONTACT RESISTANCE: 10.0 mini Ohm

OUTER CONTACT RESISTANCE: 6.0 mini Ohm

MECHANICAL DATA

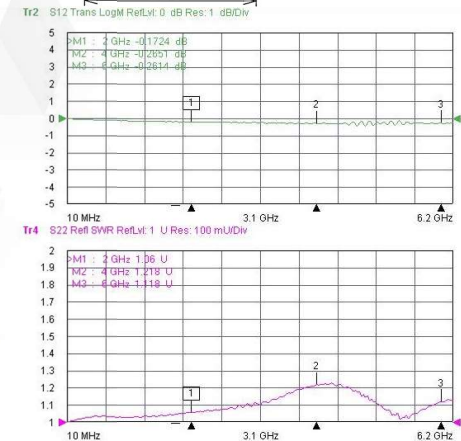
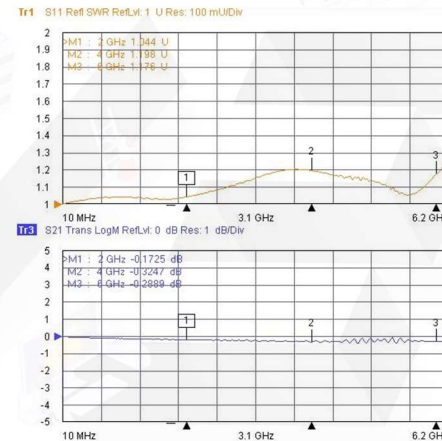
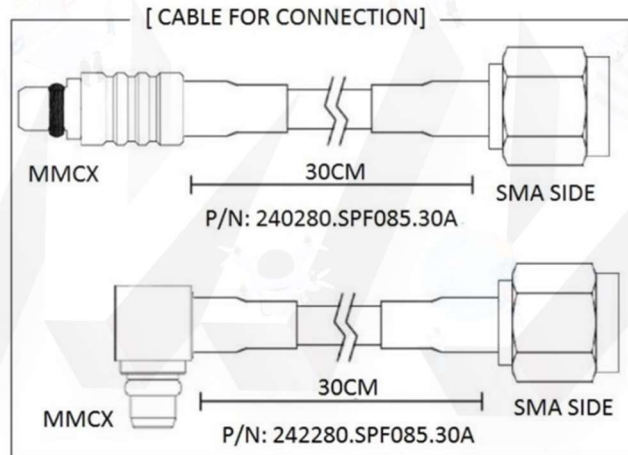
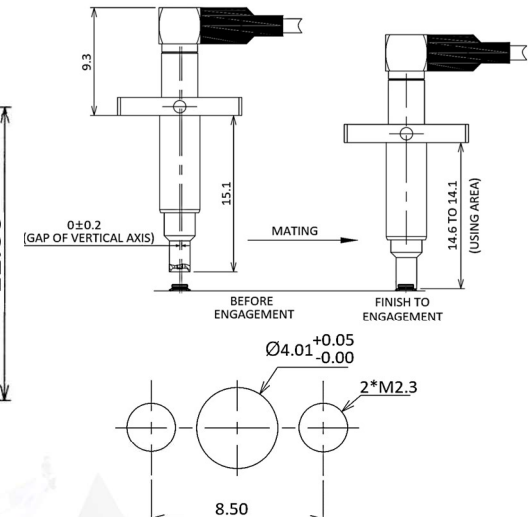
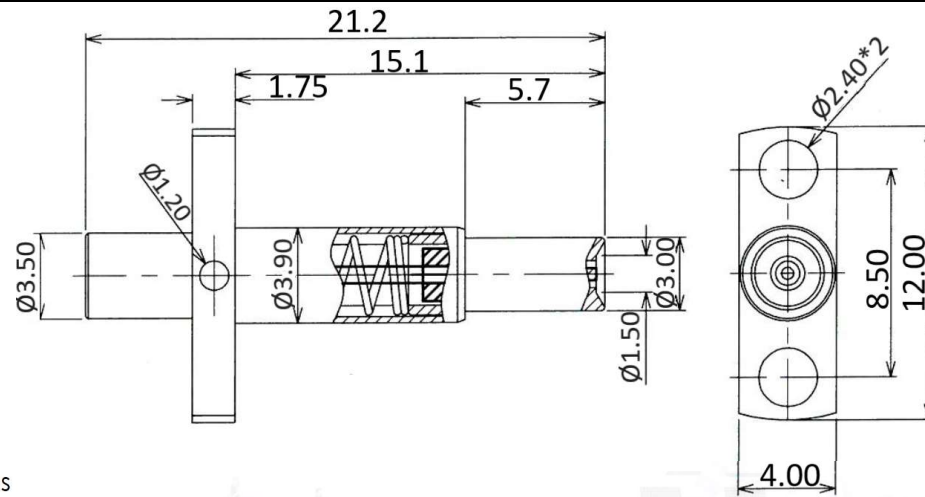
COUPLING METHOD: Probe/SNAP-ON

DURABILITY(MATING/UNMATING): 100000 Cycles

APPLICATION



Fully mating with MHF4



DESCRIPTION	MATERIALS	ROHS COMPLIANCE	UNIT: mm
BODY	SUS303(FRONT); BRASS GOLD PLATED(MIDDLE)	GENERAL TOLERANCE: X. : ±0.38 .X : ±0.25 .XX : ±0.15 .XXX ±0.05	ANGLE TOLERANCE : X° : ±2.0° .X° : ±1.0° .XX° : ±0.5°
MMCX BODY	BRASS GOLD PLATED		
CENTER PIN	PH BR/STEEL, GOLD	TITLE	
SPRING	SUS304	MMCX Female To MHF4 / X.FL Male Probe Adapter, DC-6GHz	
INSULATOR	TEFLON		

芝程科技有限公司
 Marvelous Microwave Inc.
www.micro-mve.com sales@micro-mve.com +886-2-2602-0660

PART NO.	MVE1963-21	REV
		1.3
SIZE: A	SHEET: 1/1	SCALE:

NOTES

- ALL SPECIFICATIONS ARE SUBJECT TO CHANGE WITHOUT NOTICE AT ANY TIME
- CUSTOMER OUTLINE DRAWING FOR REFERENCE ONLY