



COAXIAL ADAPTER

SMA-MHF4 Standard Series

Features

- ✓ Frequency Range: DC to 10GHz
- ✓ Low VSWR
- ✓ High performance design

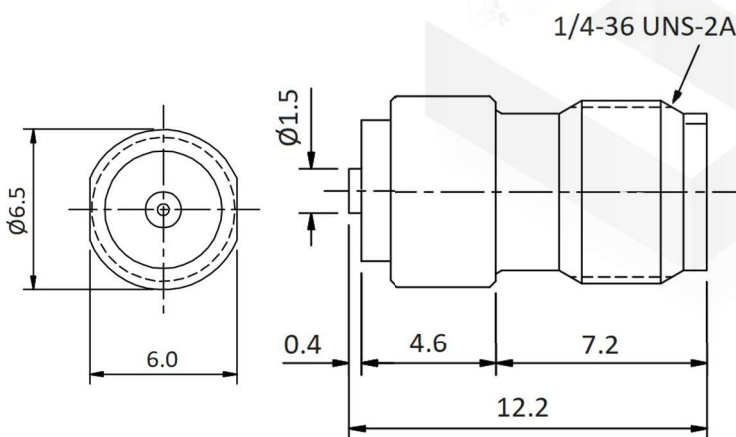


Specifications

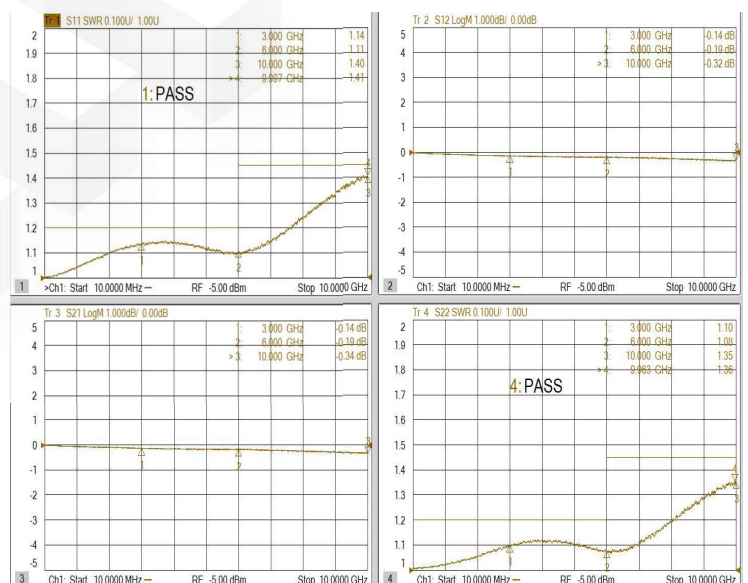
PART NUMBER	MVE1962A
DESCRIPTION	50ohm SMA Female To MHF4 Female Adapter, DC-10GHz
ELECTRICAL	MATERIALS
FREQUENCY: DC-10GHz IMPEDANCE: 50ohm VSWR: 1.2:1 MAX. (DC-6GHz) 1.45:1 MAX. (6GHz-10GHz) DIELECTRIC WITHSTANDING VOLTAGE: 1000Vrms MAX. WORKING VOLTAGE: 170Vrms MAX. INSULATION RESISTANCE: 5000MEGOHMS MIN.	BODY: BRASS, ELECTORLESS NICKEL CONTACT: BE.COPPER, GOLD PLATED INSULATOR: PTFE

TOLERANCE: X=±0.2 X.X=±0.1 X.XX=±0.05

Outline Drawing (Unit: mm)



Typical Test Result



NOTES:

1. ALL SPECIFICATIONS ARE SUBJECT TO CHANGE WITHOUT NOTICE AT ANY TIME
2. CUSTOMER OUTLINE DRAWING FOR REFERENCE ONLY

