

ELECTRICAL DATA

FREQUENCY : DC-8GHz
 IMPEDANCE: 50Ω
 VSWR: 1.6:1MAX.
 INSERTION LOSS: 1 dB MAX.
 DIELECTRIC WITHSTANDING VOLTAGE: 500 Vrms
 WORKING VOLTAGE: 170 Vrms MAX.
 INSULATION RESISTANCE: 500Mega Ohms
 CENTER CONTACT RESISTANCE: 70 mini Ohm
 OUTER CONTACT RESISTANCE: 20 mini Ohm

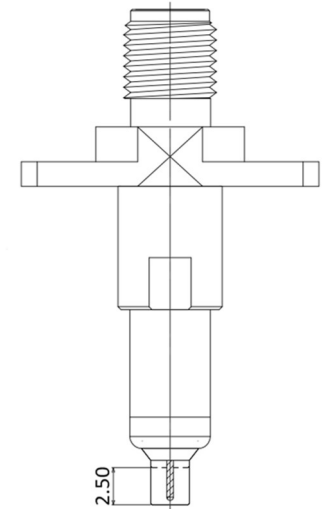
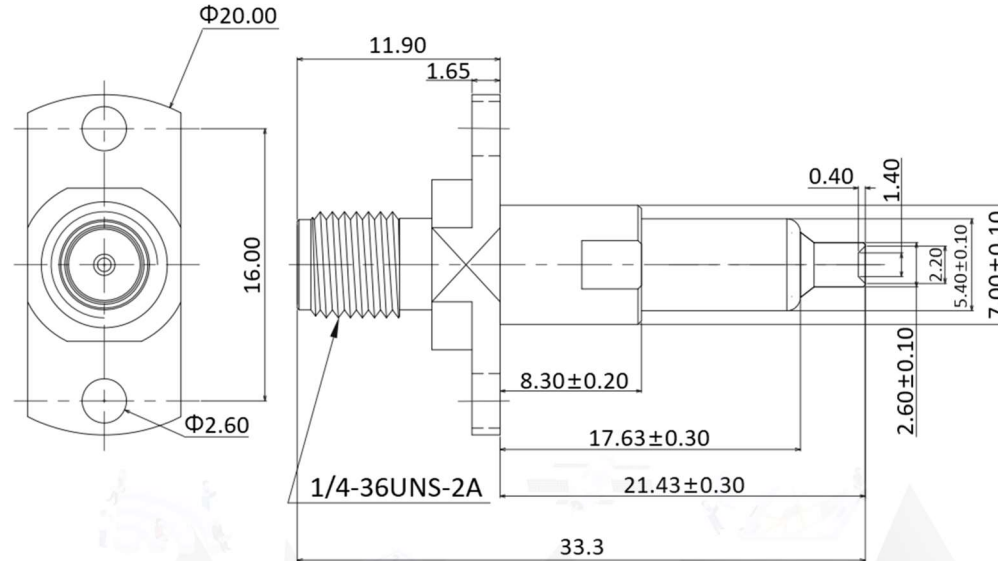
MECHANICAL DATA

COUPLING METHOD:THREADED
 DURABILITY(MATING/UNMATING):10000 Cycles

APPLICATION



Fully mating with MM8030



compression stroke 2.5mm

DESCRIPTION	MATERIALS	ROHS COMPLIANCE	UNIT: mm
BODY	BRASS, GOLD PLATED	TOLERANCE: --	
CENTER PIN	BRASS, GOLD PLATED	TITLE	
SPRING	SUS304	SMA Female To MM8030 Adapter, DC-8GHz	
INSULATOR	TEFLON		

NOTES

1. ALL SPECIFICATIONS ARE SUBJECT TO CHANGE WITHOUT NOTICE AT ANY TIME
2. CUSTOMER OUTLINE DRAWING FOR REFERENCE ONLY

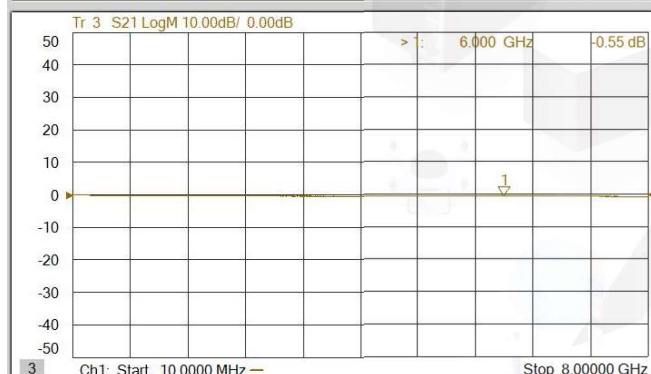
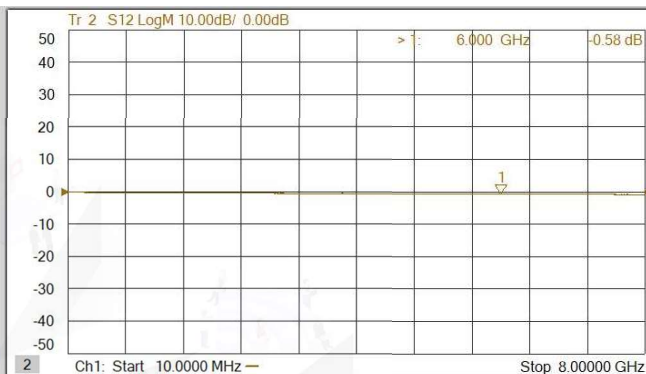
MVE 芝程科技有限公司
 Marvelous Microwave Inc.
 www.micro-mve.com sales@micro-mve.com +886-2-2602-0660



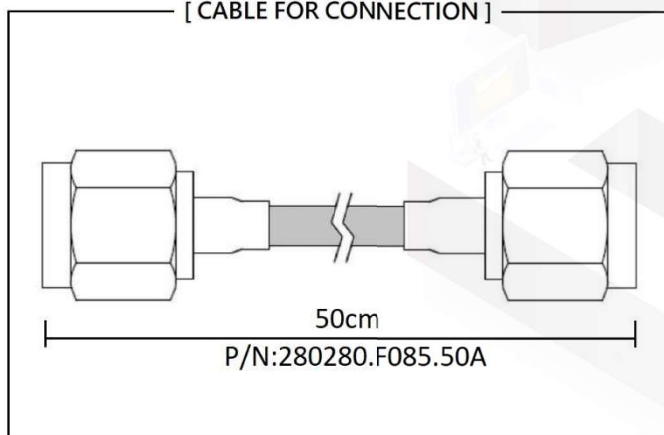
PART NO.	MVE1961	REV	5.1
SIZE: A	SHEET: 1/1	SCALE:	

Typical Test Result

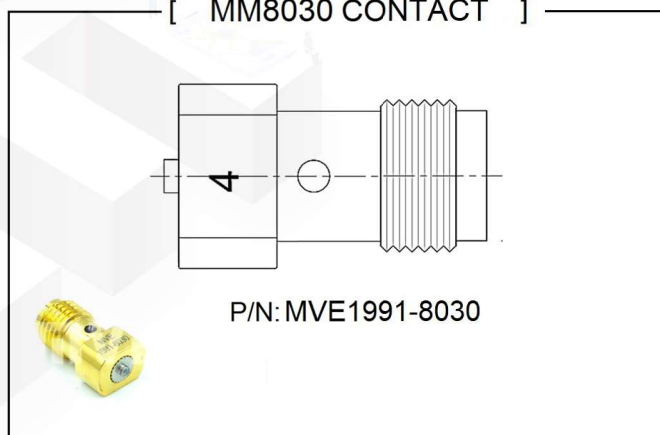
PART NUMBER	DESCRIPTION
MVE1961	SMA Female To MM8030 Adapter, DC-8GHz



[CABLE FOR CONNECTION]



[MM8030 CONTACT]



NOTES

1. ALL SPECIFICATIONS ARE SUBJECT TO CHANGE WITHOUT NOTICE AT ANY TIME
2. CUSTOMER OUTLINE DRAWING FOR REFERENCE ONLY