

ELECTRICAL DATA

FREQUENCY : DC-11GHz

IMPEDANCE: 50Ω

VSWR:1.6:1 MAX. (DC-3GHz) / 1.8:1 MAX. (3-6GHz) / 2.2:1 MAX. (6-11GHz)

INSULATION RESISTANCE: 500Mega-Ohms

DIELECTRIC WITHSTANDING VOLTAGE: 250Vrms

CENTER CONTACT RESISTANCE: 70 Mini-Ohms

OUTER CONTACT RESISTANCE: 20 Mini-Ohms

MECHANICAL DATA

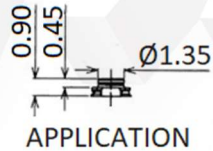
COUPLING METHOD: FLOATING/THREADED

TEMPERATURE RANGE: -40°C~85°C

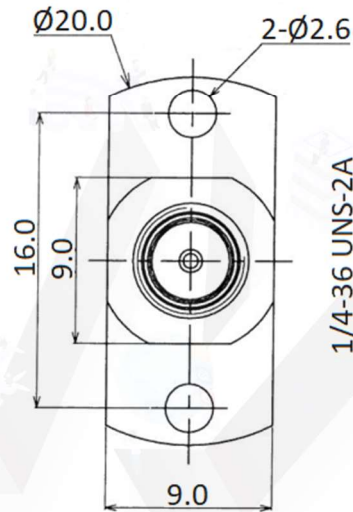
DURABILITY:10000 CYCLES MIN.

APPLICATION

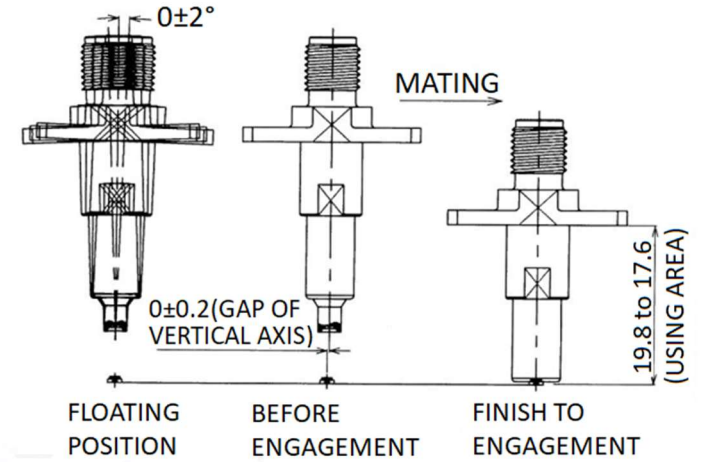
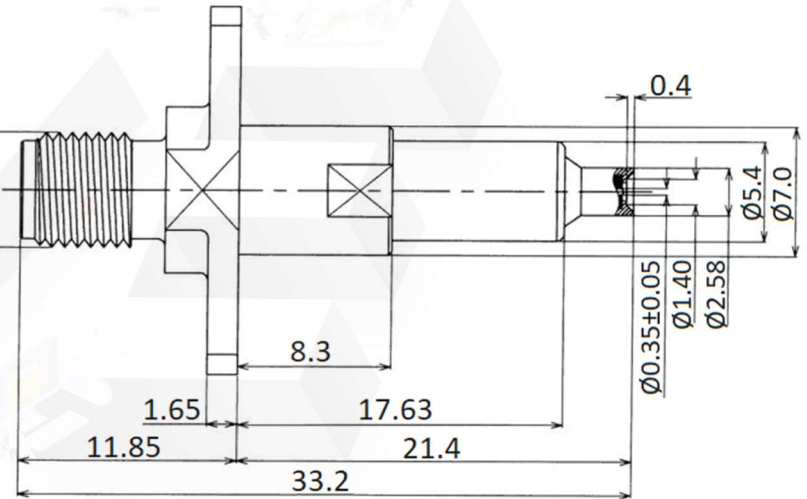
Fully mating with MM8030



APPLICATION



1/4-36 UNS-2A



DESCRIPTION	MATERIALS	ROHS COMPLIANCE	UNIT: mm
BODY	BRASS, NICKEL/GOLD PLATED	TOLERANCE: X=±0.38 X.X=±0.25 X.XX=±0.15	
CENTER CONTACT	BRASS/PHOSPHOR BRONZE, GOLD PLATED	TITLE SMA Female To MM8030 Adapter, DC-11GHz	
SPRING	PIANO WIRE/NICKEL PLATED		
INNER INSULATOR	TEFLON		


芝程科技有限公司
 Marvelous Microwave Inc.
 www.micro-mve.com sales@micro-mve.com +886-2-2602-0660



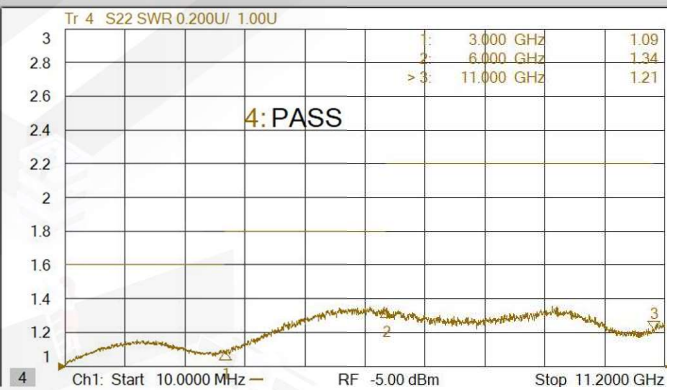
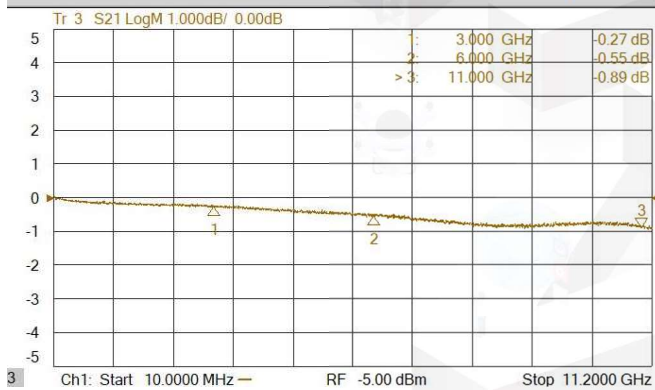
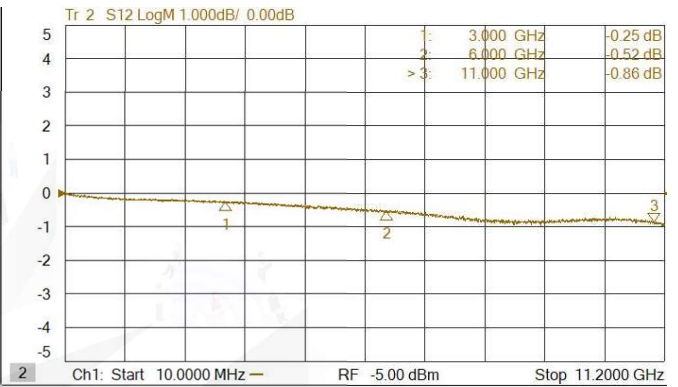
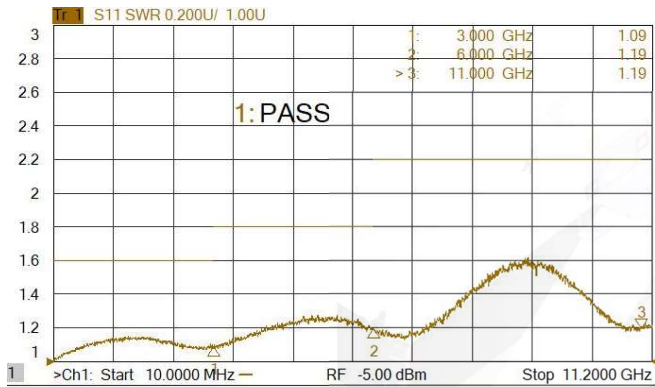
PART NO.		REV
MVE1961-2		2.2
SIZE: A	SHEET: 1/1	SCALE:

NOTES

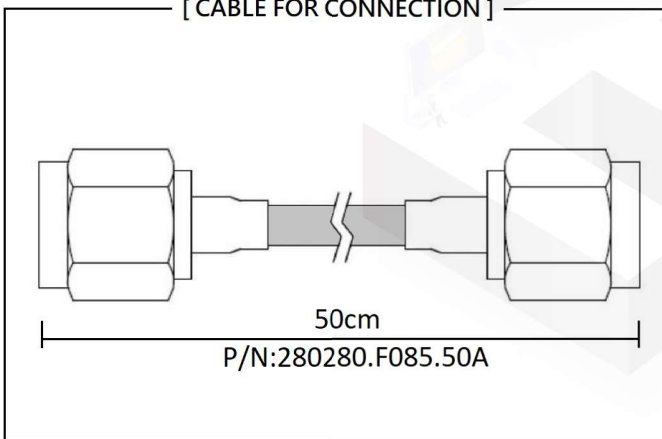
1. ALL SPECIFICATIONS ARE SUBJECT TO CHANGE WITHOUT NOTICE AT ANY TIME
2. CUSTOMER OUTLINE DRAWING FOR REFERENCE ONLY

Typical Test Result

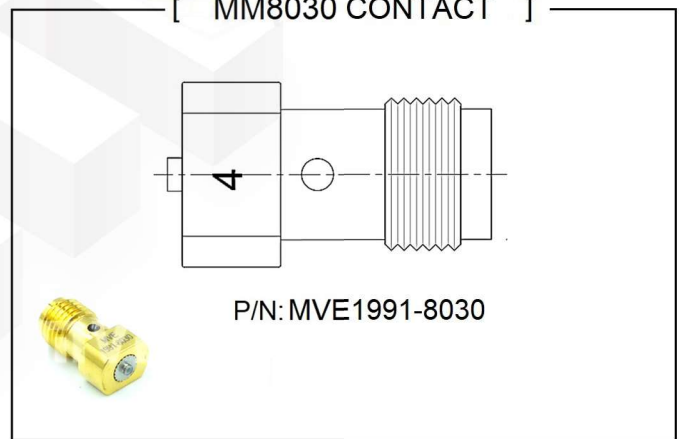
PART NUMBER	DESCRIPTION
MVE1961-2	SMA Female To MM8030 Adapter, DC-11GHz



[CABLE FOR CONNECTION]



[MM8030 CONTACT]



NOTES

1. ALL SPECIFICATIONS ARE SUBJECT TO CHANGE WITHOUT NOTICE AT ANY TIME
2. CUSTOMER OUTLINE DRAWING FOR REFERENCE ONLY