



# COAXIAL ADAPTER

# SMA-SMA Standard Series

## Features

- ✓ Frequency Range: DC to 10GHz
- ✓ High performance design
- ✓ Low VSWR

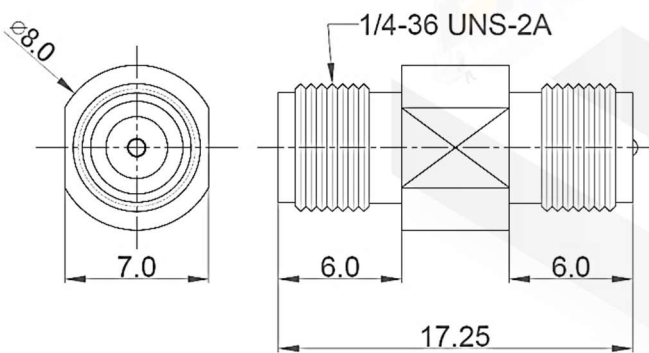


## Specifications

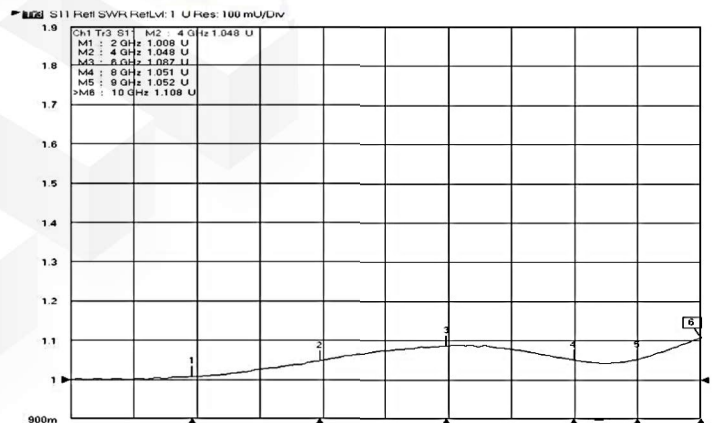
<b>PART NUMBER</b>	MVE1711
<b>DESCRIPTION</b>	50ohm SMA Female Reverse To SMA Female Adapter, DC-10GHz
<b>ELECTRICAL</b>	<b>MATERIALS</b>
FREQUENCY : DC-10GHz IMPEDANCE: 50OHM WORKING VOLTAGE: 335Vrms MAX. DIELECTRIC WITHSTANDING VOLTAGE: 1000Vrms MAX. VSWR: 1.25:1 MAX	BODY: BRASS, GOLD PLATED CONTACT: BE COPPER, GOLD PLATED INSULATOR: PTFE

TOLERANCE: X=±0.2 X.X=±0.1 X.XX=±0.05

## Outline Drawing (Unit: mm)



## Typical Test Result



NOTES:  
1. ALL SPECIFICATIONS ARE SUBJECT TO CHANGE WITHOUT NOTICE AT ANY TIME  
2. CUSTOMER OUTLINE DRAWING FOR REFERENCE ONLY

