



COAXIAL ADAPTER

MMCX-SMA Standard Series

Features

- ✓ Frequency Range: DC to 6GHz
- ✓ MMCX Interface
- ✓ Low VSWR

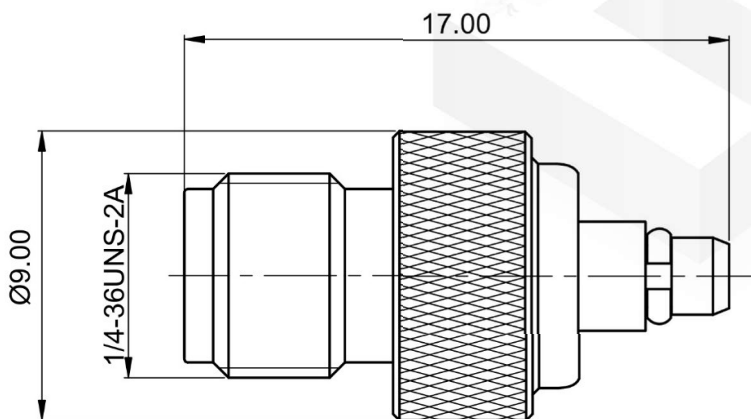


Specifications

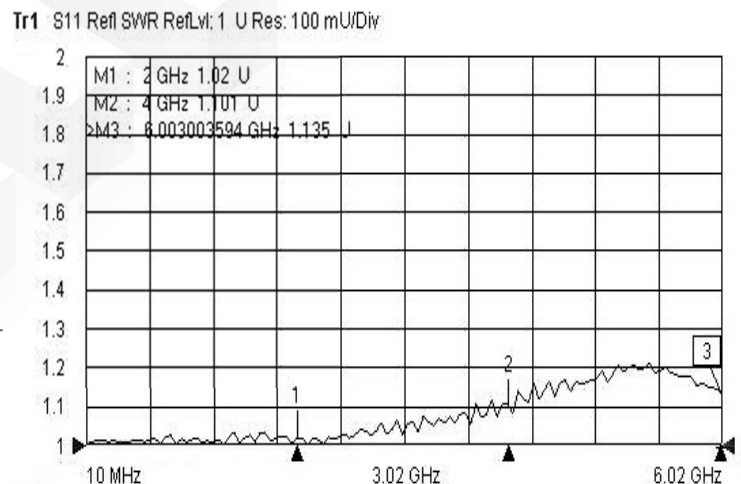
PART NUMBER	MVE1562
DESCRIPTION	MMCX Male To SMA Female Adapter, DC-6GHz
ELECTRICAL	MATERIALS
FREQUENCY : DC-6GHz IMPEDANCE: 50 ohm VSWR: 1.3:1 MAX. WITHSTANDING VOLTAGE: 250V INSULATION RESISTANCE: $\geq 1 \times 10^3 M\Omega$ DURABILITY (MATINGS): >500 TEMPERATURE RANGE: -55~+155°C	BODY: BRASS, GOLD PLATED CONTACT: COPPER BERYLLIUM ALLOY, GOLD PLATED INSULATOR: PTFE

TOLERANCE: X=±0.5 X.X=±0.2 .XX=±0.1

Outline Drawing (Unit: mm)



Typical Test Result



NOTES:
1. ALL SPECIFICATIONS ARE SUBJECT TO CHANGE WITHOUT NOTICE AT ANY TIME
2. CUSTOMER OUTLINE DRAWING FOR REFERENCE ONLY

