



COAXIAL ADAPTER

MCX-SMA Standard Series

Features

- ✓ Frequency Range: DC to 8GHz
- ✓ Low VSWR
- ✓ High performance design

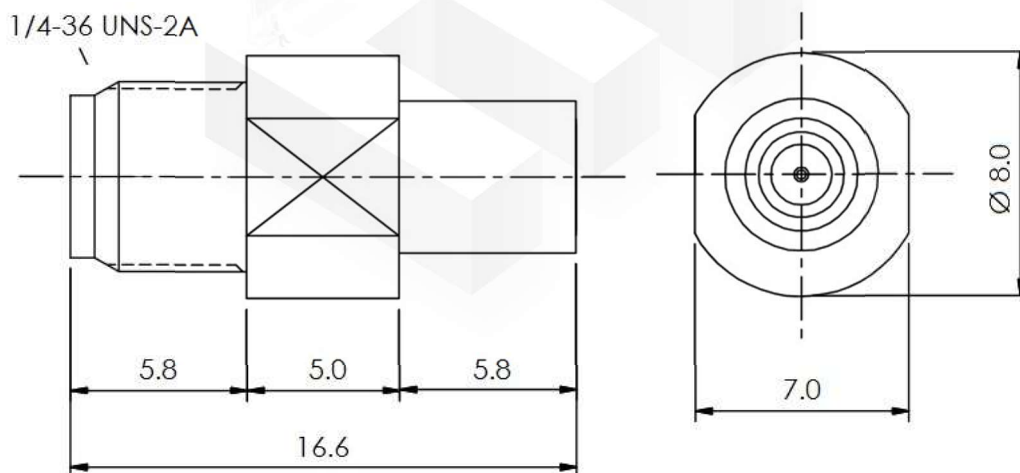


Specifications

PART NUMBER	MVE1561
DESCRIPTION	MCX Female To SMA Female Adapter
ELECTRICAL	
FREQUENCY : DC-8GHz IMPEDANCE: 50 ohm WORKING VOLTAGE: 500Vrms MAX. DIELECTRIC WITHSTANDING VOLTAGE: 1000Vrms MAX. INSULATOR RESISTANCE: 5000MEGOHMS MIN. VSWR: 1.3 MAX.	
MATERIALS	
BODY: BRASS, GOLD PLATED CONTACT: BE. COPPER, GOLD PLATED INSULATOR: TEFLON	

TOLERANCE: X=±0.2 X.X=±0.1 .XX=±0.05

Outline Drawing (Unit: mm)



NOTES:
1. ALL SPECIFICATIONS ARE SUBJECT TO CHANGE WITHOUT NOTICE AT ANY TIME
2. CUSTOMER OUTLINE DRAWING FOR REFERENCE ONLY

