



# COAXIAL ADAPTER

## TNC-N Standard Series

### Features

- ✓ High performance design
- ✓ High Durability
- ✓ Low VSWR

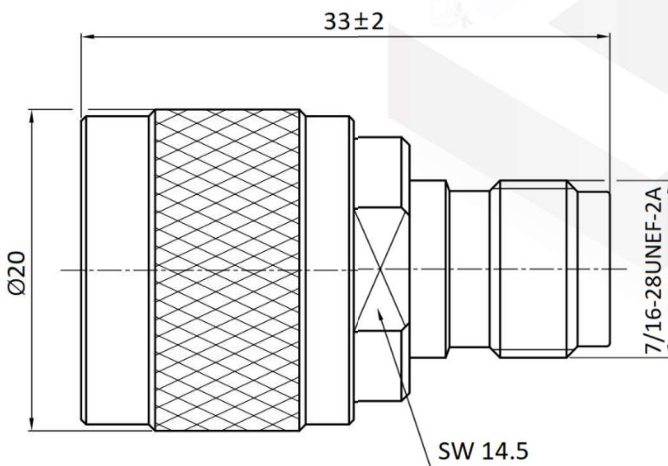


### Specifications

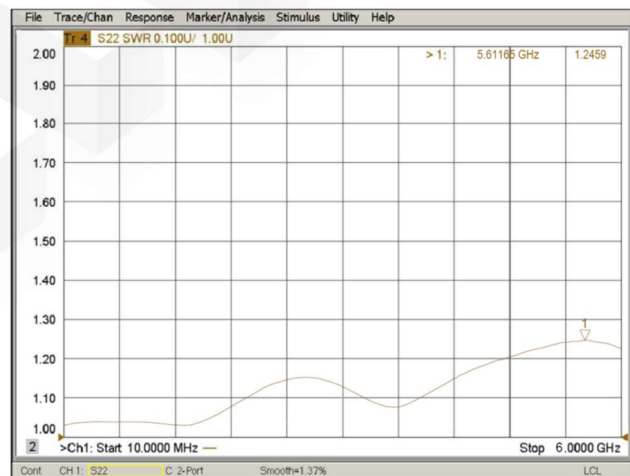
<b>PART NUMBER</b>	MVE1429
<b>DESCRIPTION</b>	TNC Female to N Male, DC-6GHz Adapter
<b>ELECTRICAL</b>	
FREQUENCY: DC-6 GHz IMPEDANCE: 50Ω VSWR: 1.3:1 MAX. INSULATION RESISTANCE: ≥ 5000MΩ WITHSTANDING VOLTAGE: 1000V TEMPERATURE RANGE: -65~+165°C DURABILITY: 500CYCLE MIN.	
<b>MATERIALS</b>	
BODY: BRASS, NICKEL PLATED CONTACT: PHOSPHOR BRONZE, GOLD PLATED COUPLING NUT: BRASS, NICKEL PLATED INSULATOR: PTFE GASKET: SILICONE RUBBER	

Tolerance: X=±0.5    X.X=±0.2    .XX=±0.1

### Outline Drawing (Unit: mm)



### Typical Test Result



NOTES:  
1. ALL SPECIFICATIONS ARE SUBJECT TO CHANGE WITHOUT NOTICE AT ANY TIME  
2. CUSTOMER OUTLINE DRAWING FOR REFERENCE ONLY

