



# COAXIAL ADAPTER

# MMCX-MHF4 Standard Series

## Features

- ✓ Frequency Range: DC to 8GHz
- ✓ High interface performance
- ✓ High performance design

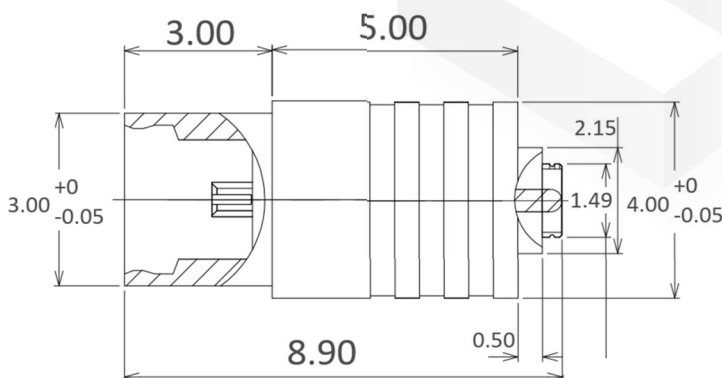


## Specifications

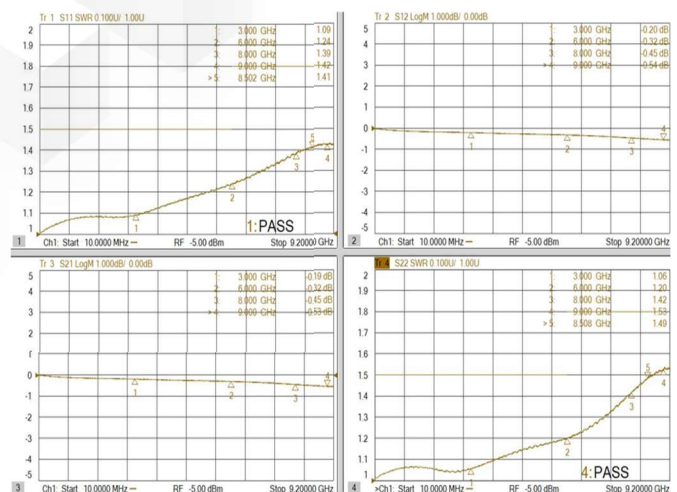
<b>PART NUMBER</b>	<b>MVE1347</b>
<b>DESCRIPTION</b>	50ohm MMCX Female To MHF4 Female Adapter, DC-8GHz
<b>ELECTRICAL</b>	<b>MATERIALS</b>
FREQUENCY: DC-8GHz IMPEDANCE: 50ohm VSWR: DC-6GHz ≤1.5 DC-6-8GHz ≤1.8 WORKING VOLTAGE:500 Vrms Max DIELECTRIC WITHSTANDING VOLATGE:1000 Vrms Max INSULATOR RESISTANCE:5000 MEGOHMS MIN.	BODY: BRASS (3604) GOLD PLATED MHF4 CONTACT: SUS303 CENTER PIN:BE CU GOLD INSULATOR: PTFE

TOLERANCE: X=±0.2 X.X=±0.1 X.XX=±0.05

## Outline Drawing (Unit: mm)



## Typical Test Result



**NOTES:**

1. ALL SPECIFICATIONS ARE SUBJECT TO CHANGE WITHOUT NOTICE AT ANY TIME
2. CUSTOMER OUTLINE DRAWING FOR REFERENCE ONLY

