



# COAXIAL ADAPTER

## 1.0mm-2.92mm Precision Series

### Features

- ✓ Frequency up to 40GHz
- ✓ High performance design
- ✓ Low VSWR

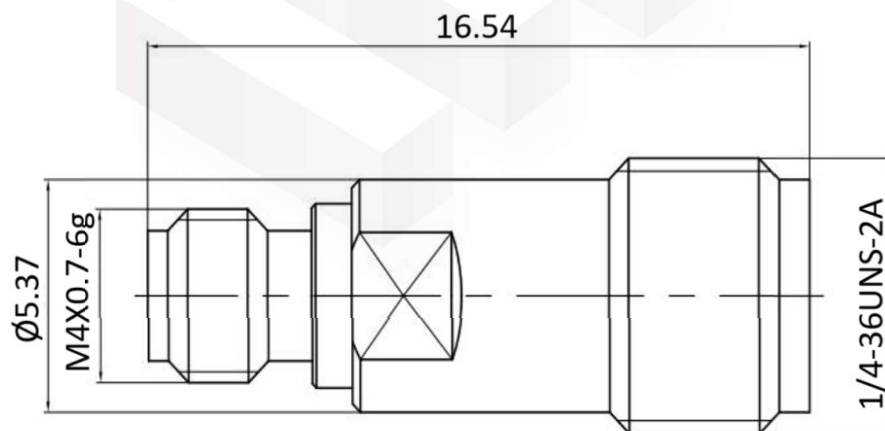


### Specifications

<b>PART NUMBER</b>	<b>MVE1196</b>
<b>DESCRIPTION</b>	1.0mm Female To 2.92mm Female, 40GHz Adapter/ Stainless
<b>ELECTRICAL</b>	FREQUENCY: DC-40GHz IMPEDANCE: 50Ω INSULATION RESISTANCE: 5000MΩ DIELECTRIC WITHSTANDING VOLTAGE: 1000V VSWR: 1.25:1 MAX. INSERTION LOSS: $\leq 0.05 * \sqrt{f_{GHz}}$ dB TEMPERATURE: -45°C~+125°C
<b>MATERIALS</b>	BODY: STAINLESS STEEL DIELECTRIC: PEI INNER CONDUCTOR: BERYLLIUM COPPER

Tolerance: ±0.3mm

### Outline Drawing (Unit: mm)

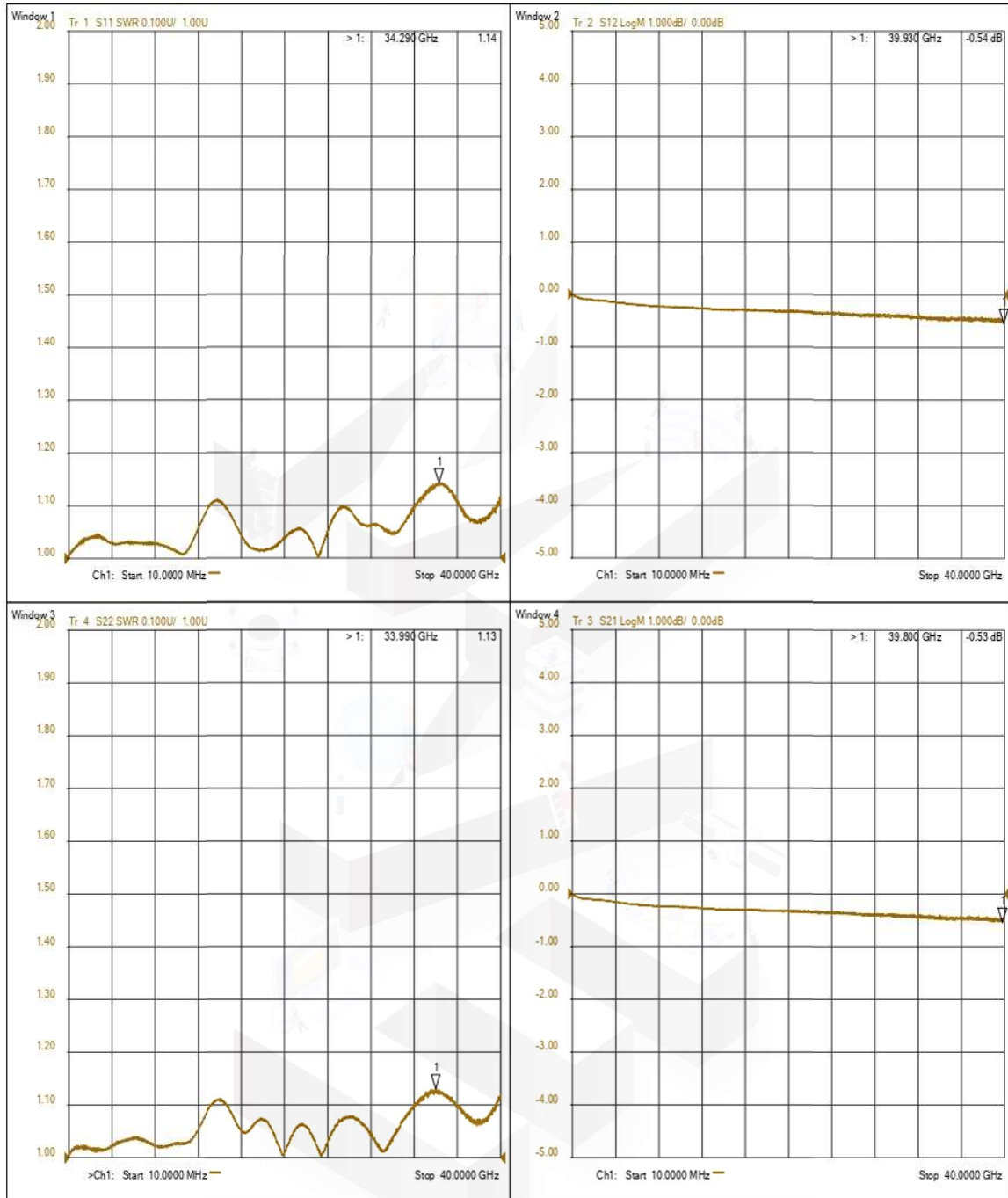


NOTES:  
1. ALL SPECIFICATIONS ARE SUBJECT TO CHANGE WITHOUT NOTICE AT ANY TIME  
2. CUSTOMER OUTLINE DRAWING FOR REFERENCE ONLY





### Typical Test Result (MVE1195+MVE1196)



Channel Settings								
Channel	Sweep Type	Points	Start (MHz)	Stop (GHz)	IF BW (kHz)	Sweep Time (s)	Pow 1 (dBm)	Pow 2 (dBm)
1	LinFreq	4000	10.000000	40.000000	100.000000	0.042600	-5.000000	-5.000000

Trace Attributes				
Window	ID	Trace	Channel	Options
1	1	S11	1	C 2-Port
2	1	S12	1	C 2-Port
3	1	S22	1	C 2-Port
4	1	S21	1	C 2-Port

NOTES:  
1. ALL SPECIFICATIONS ARE SUBJECT TO CHANGE WITHOUT NOTICE AT ANY TIME  
2. CUSTOMER OUTLINE DRAWING FOR REFERENCE ONLY

