



COAXIAL ADAPTER

2.92mm-2.92mm Precision Series

Features

- ✓ Frequency up to 40 GHz
- ✓ High Durability
- ✓ Low VSWR

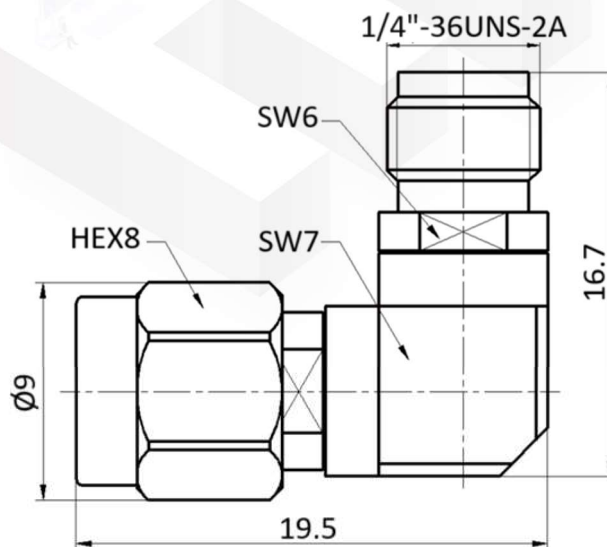


Specifications

PART NUMBER	MVE1190B
DESCRIPTION	2.92mm Male To 2.92mm Female R/A Adapter, DC-40GHz / Stainless
ELECTRICAL	FREQUENCY : DC-40GHz IMPEDANCE: 50Ω VSWR: 1.25:1 MAX.
MECHANIAL	TEMPERATURE RANGE: -50°C~+125°C DURABILITY: 500CYCLE MIN.
MATERIALS	HOUSING: STAINLESS STEEL, PASSIVATED INSULATOR: PEI PIN CONTACT: BERYLLIUM COPPER, GOLD-PLATED

Tolerance: ±0.5mm

Outline Drawing (Unit: mm)



NOTES:
1. ALL SPECIFICATIONS ARE SUBJECT TO CHANGE WITHOUT NOTICE AT ANY TIME
2. CUSTOMER OUTLINE DRAWING FOR REFERENCE ONLY





Typical Test Result

