



COAXIAL ADAPTER

2.4mm-2.92mm Precision Series

Features

- ✓ High performance design
- ✓ High Durability
- ✓ Low VSWR

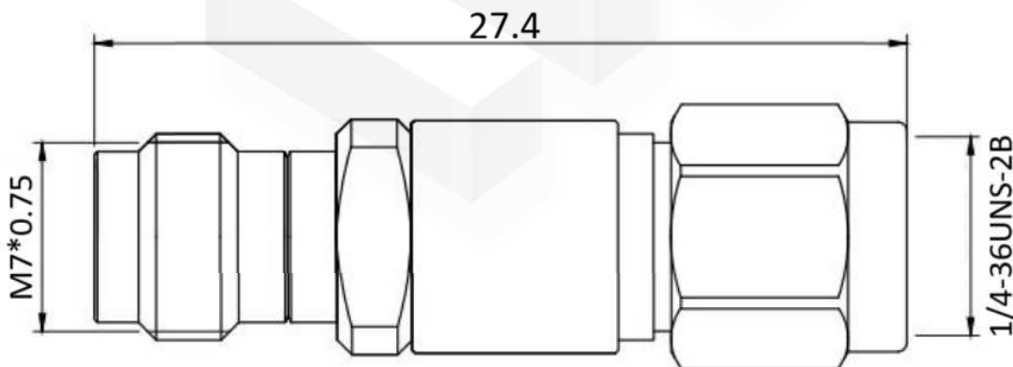


Specifications:

PART NUMBER	MVE1154C
DESCRIPTION	2.4mm Female To 2.92mm Male, 40GHz Adapter / Stainless
ELECTRICAL	FREQUENCY: DC-40GHz IMPEDANCE: 50Ω VSWR: 1.20:1 MAX. DURABILITY: 2000 CYCLES TEMPERATURE: -55°C ~+125°C
MATERIALS	BODY: STAINLESS STEEL, PASSIVATED INSULATOR: PEI PIN CONTACT: BERYLLIUM COPPER ALLOY, GOLD PLATED

Tolerance: ±0.5mm

Outline Drawing (Unit: mm)



NOTES:
1. ALL SPECIFICATIONS ARE SUBJECT TO CHANGE WITHOUT NOTICE AT ANY TIME
2. CUSTOMER OUTLINE DRAWING FOR REFERENCE ONLY

