



# COAXIAL ADAPTER

## 1.85mm-1.85mm Precision Series

### Features

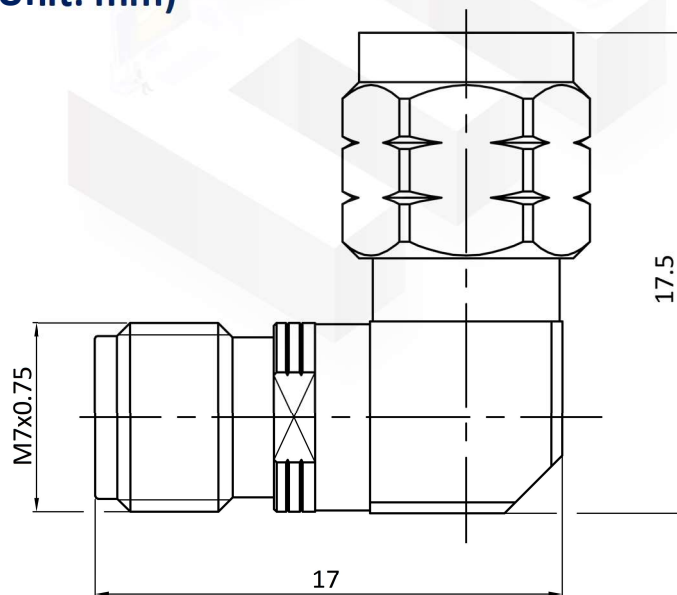
- ✓ Frequency up to 67GHz
- ✓ Low VSWR
- ✓ High Durability

### Specifications:

<b>PART NUMBER</b>	MVE1110
<b>DESCRIPTION</b>	1.85mm Male To 1.85mm Female R/A, 67GHz Adapter/Stainless
<b>ELECTRICAL</b>	FREQUENCY : DC-67GHz IMPEDANCE: 50Ω VSWR: 1.35:1 MAX.
<b>MECHANIAL</b>	TEMPERATURE RANGE: -55°C~+165°C DURABILITY: 500CYCLE MIN.
<b>MATERIALS</b>	BODY: STAINLESS STEEL, PASSIVATED INSULATOR: PEI PIN CONTACT: BERYLLIUM COPPER ALLOY, GOLD-PLATED

TOLERANCE: X=±0.5    X.X=±0.2    .XX=±0.1

### Outline Drawing (Unit: mm)



NOTES:  
1. ALL SPECIFICATIONS ARE SUBJECT TO CHANGE WITHOUT NOTICE AT ANY TIME  
2. CUSTOMER OUTLINE DRAWING FOR REFERENCE ONLY