



COAXIAL ADAPTER

50OHM N TO 75OHM F Standard Series

Features

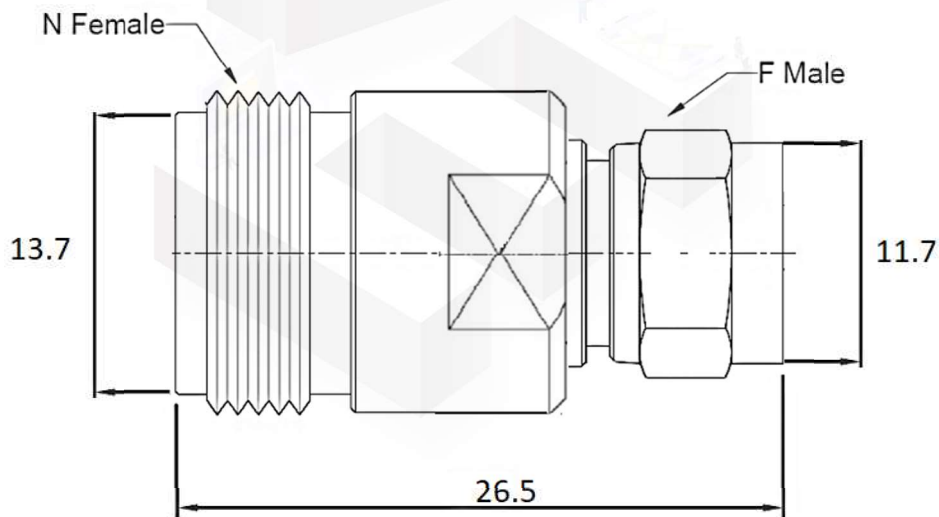
- ✓ Impedance :50 to 75ohm
- ✓ Low VSWR
- ✓ Frequency Range:DC-3GHz

Specifications

PART NUMBER	MVE1017
DESCRIPTION	N Female To 75ohm F Male Adapter,DC-3GHz
MATERIALS	BODY: BRASS,NICKEL PLATED INSULATOR: DELRIN/WHITE CONTACT: BRASS,GOLD PLATED Nut: BRASS,NICKEL PLATED

Tolerance: X= ±0.5

Outline Drawing (Unit: mm)



NOTES:
1. ALL SPECIFICATIONS ARE SUBJECT TO CHANGE WITHOUT NOTICE AT ANY TIME
2. CUSTOMER OUTLINE DRAWING FOR REFERENCE ONLY

