



COAXIAL ADAPTER

75OHM F Standard Series

Features

- ✓ Impedance :75 Ohm
- ✓ Low VSWR
- ✓ High performance design

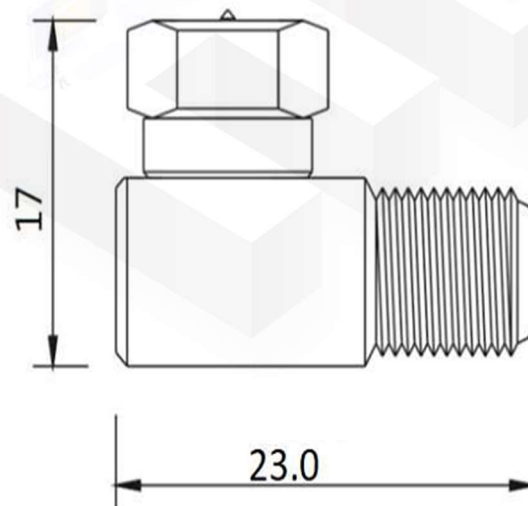


Specifications:

PART NUMBER	MVE1007
DESCRIPTION	75 Ohm F Male To F Female R/A Adapter
ELECTRICAL	
FREQUENCY : 5-2000MHz IMPEDANCE: 75 Ohm VSWR: 1.5:1 MAX. TEMPERATURE RANGE:-40°C ~ + 60°C	
MATERIALS	
BODY: BRASS, NICKEL PLATED CONTACT: BRASS, NICKEL PLATED INSULATOR: TEFLON	

TOLERANCE: X=±0.4

Outline Drawing (Unit: mm)



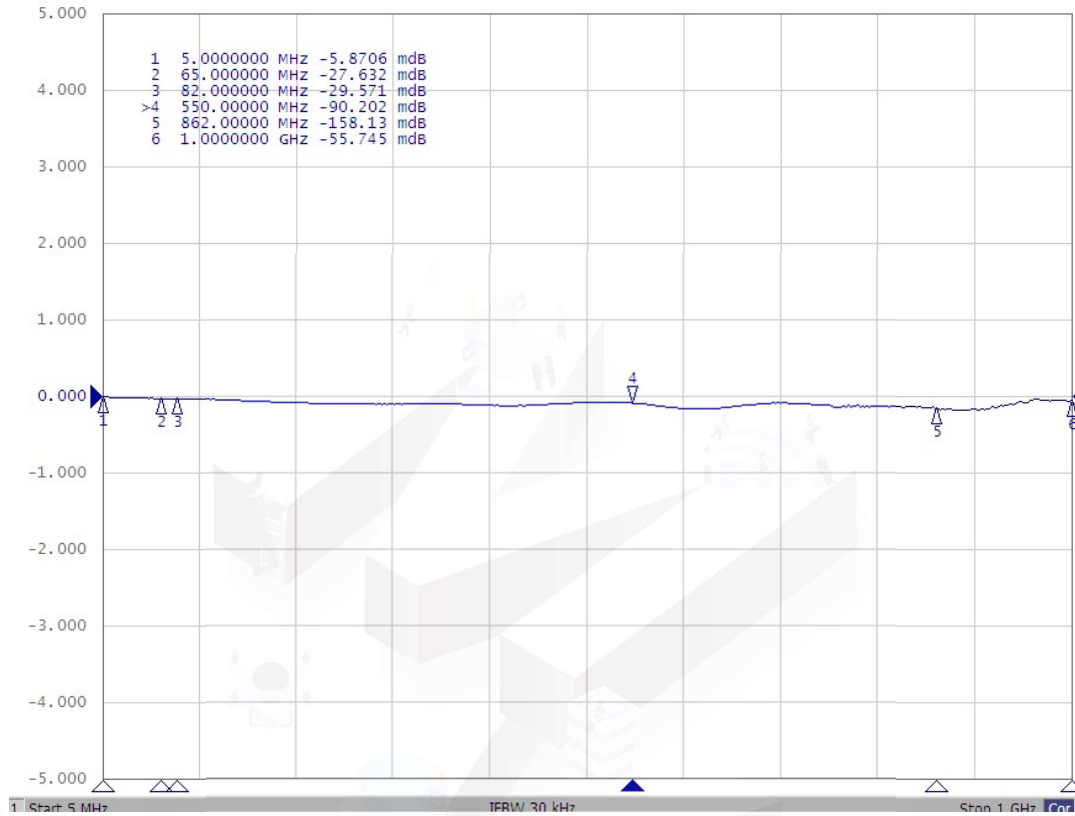
NOTES:
1. ALL SPECIFICATIONS ARE SUBJECT TO CHANGE WITHOUT NOTICE AT ANY TIME
2. CUSTOMER OUTLINE DRAWING FOR REFERENCE ONLY





Typical Test Report

▶ **Tr1** S21 Log Mag 1.000 dB/ Ref 0.000 dB [ER Equ]



▶ **Tr2** S11 Log Mag 5.000 dB/ Ref -30.00 dB [F1 Equ]

