

ELECTRICAL DATA

FREQUENCY: DC-8GHz

IMPEDANCE: 50Ω

VSWR: 1.60:1@DC-8GHz

INSULATION RESISTANCE: 1000Mega-ohms

DIELECTRIC WITHSTANDING: 250Vrms

CENTER CONTACT RESISTANCE: 8.0 Mini-Ohms

OUTER CONTACT RESISTANCE: 6.0 Mini-Ohms

MECHANICAL DATA

COUPLING METHOD: SMPM—SNAP-ON

Mini FAKRA—SLIDE-IN

DURABILITY(MATING/UNMATING):

SMPM- 500 CYCLES

Mini FAKRA-5K CYCLES

TEMPERATURE RANGE: -55~165°C

CONTINUOUS CURRENT:1.0amp

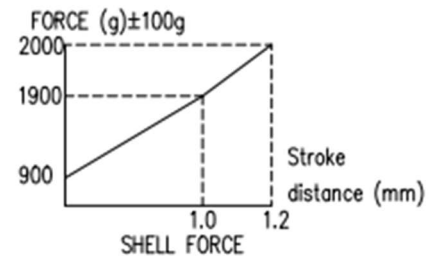
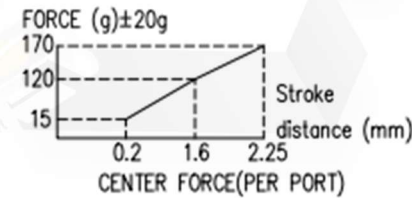
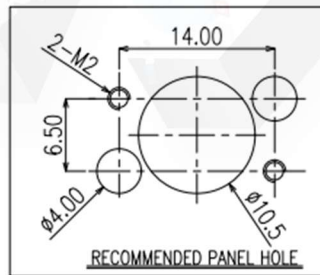
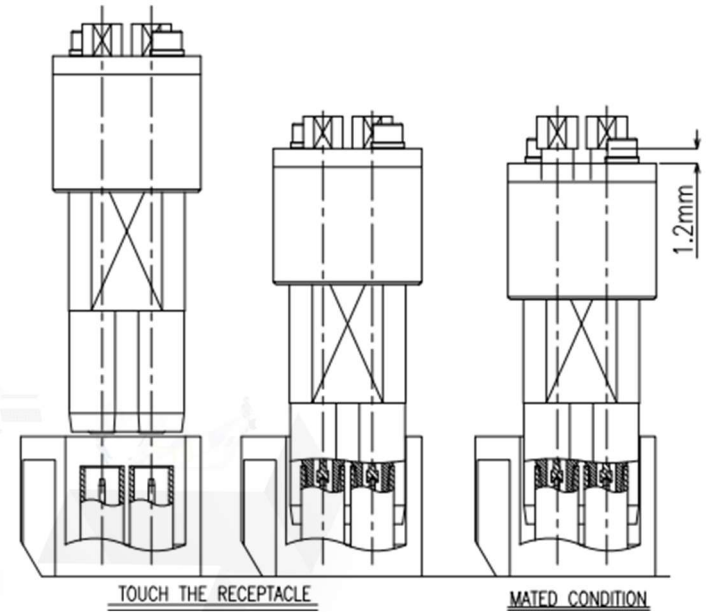
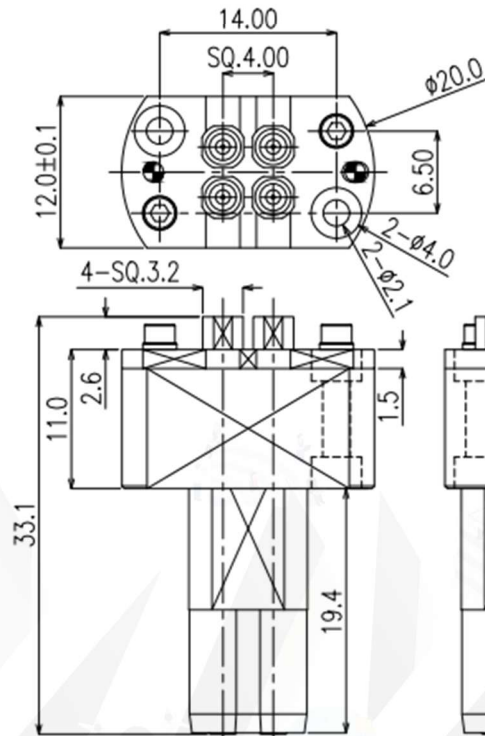
MAXIMUM TRAVEL: 2.8mm

APPLICATION

Fully mating with Mini FAKRA Male

(ROSENBERGER HFM, AMPHENOL TYPE-A)

ROHS COMPLIANCE



DESCRIPTION	MATERIALS	ROHS COMPLIANCE	UNIT: mm
BODY/SCREW/WASHER	BRASS/STEEL,NICKEL/GOLD PLATED	TOLERANCE: X=±0.38 X.X=±0.25 X.XX=±0.15	
HOUSING	POM	TITLE Quad Mini Fakra(2x2) Jack Floating/2 Test Probe, DC-8GHz(Plastic Housing)	
CONTACT PIN	BRASS/BE-CU,GOLD PLATED		
INSULATOR	TEFLON/POM		
SPRING	SUS304		

MVE 芝程科技有限公司
Marvelous Microwave Inc.
www.micro-mve.com sales@micro-mve.com +886-2-2602-0660

PART NO.	MAP-M401P	REV	1.2
SIZE: A	SHEET: 1/1	SCALE:	

NOTES

1. ALL SPECIFICATIONS ARE SUBJECT TO CHANGE WITHOUT NOTICE AT ANY TIME
2. CUSTOMER OUTLINE DRAWING FOR REFERENCE ONLY