

ELECTRICAL DATA

FREQUENCY: DC-14GHz

IMPEDANCE: 100Ω

VSWR: <1.60

INSULATION RESISTANCE: 100Mega-ohms

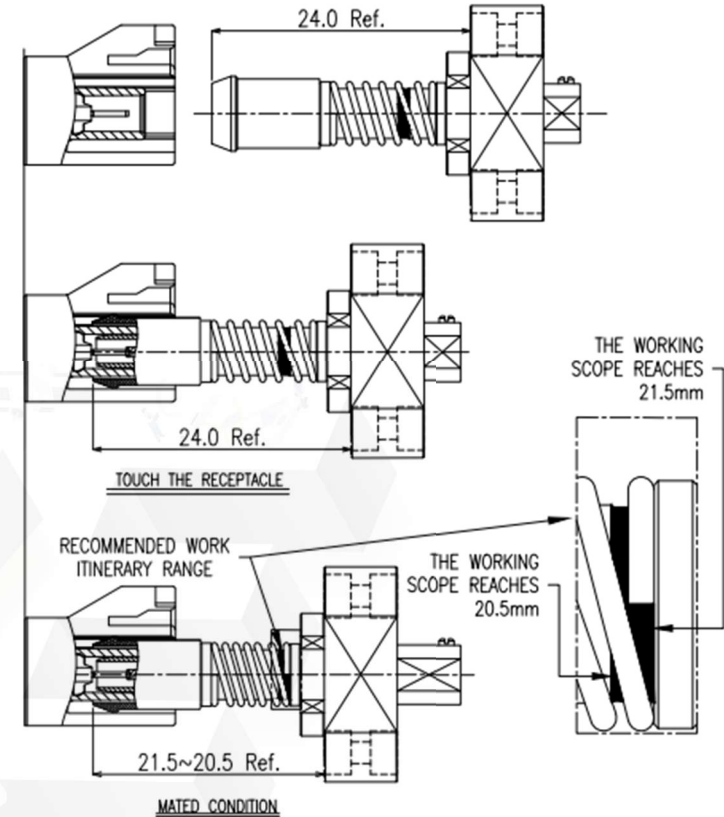
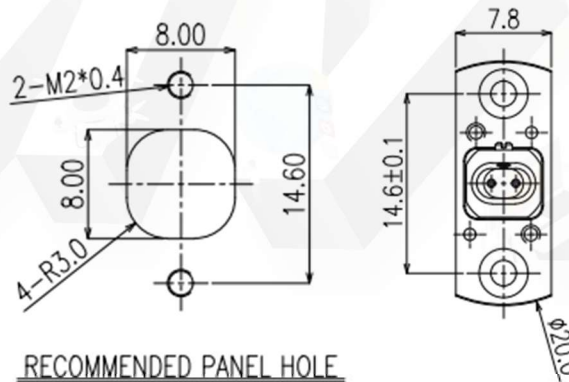
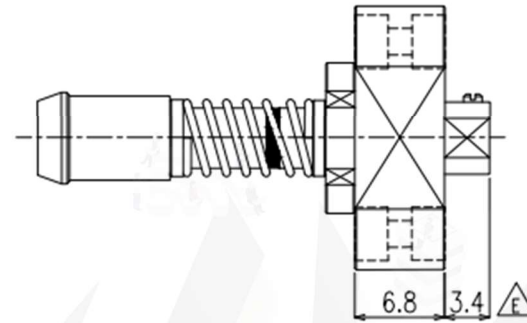
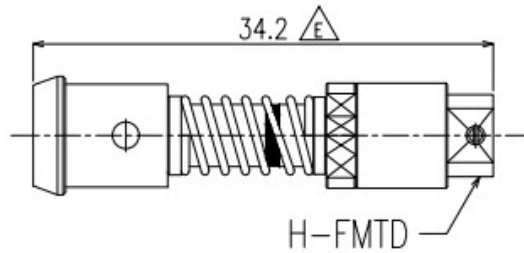
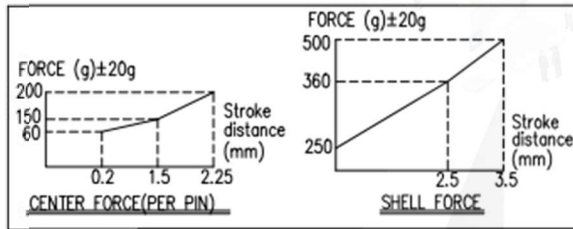
DIELECTRIC WITHSTANDING: 500Vrms

MECHANICAL DATA

COUPLING METHOD: SLIDE-IN

DURABILITY(MATING/UNMATING): 2000 CYCLES

ROHS COMPLIANCE



DESCRIPTION	MATERIALS	ROHS COMPLIANCE	UNIT: mm
SHELL BODY	BRASS/NICKEL	TOLERANCE: X=±0.38 X.X=±0.25 X.XX=±0.15	
BODY/SCREW	BRASS/STEEL,NICKEL/GOLD	TITLE H-FMTD Floating Coaxial Probe(1Port 1x1)	
CENTER CONTACT	BRASS/BE-CU,GOLD		
INSULATOR	TEFLON		
SPRING	SUS304		

MVE 芝程科技有限公司
Marvelous Microwave Inc.
www.micro-mve.com sales@micro-mve.com +886-2-2602-0660



PART NO.	MAP-H101	REV 2.1
SIZE: A	SHEET: 1/1	SCALE:

NOTES

1. ALL SPECIFICATIONS ARE SUBJECT TO CHANGE WITHOUT NOTICE AT ANY TIME
2. CUSTOMER OUTLINE DRAWING FOR REFERENCE ONLY