

# COAXIAL CIRCULATOR

4.0-8.0 GHz  
SMA Series

## Features

- ✓ Frequency range: 4000-8000MHz
- ✓ Low Insertion Loss
- ✓ High Isolation



## Specifications

Connector Type: SMA FEMALE

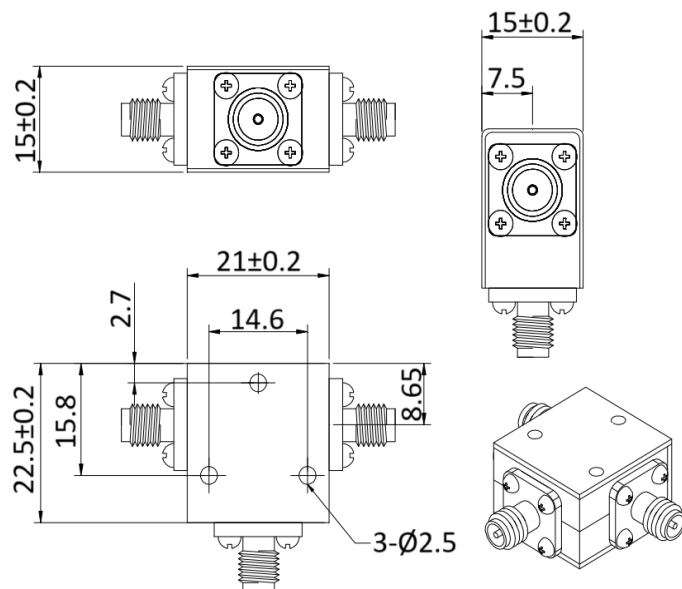
Direction: Clockwise

Operating Temperature: 0°C ~+60°C

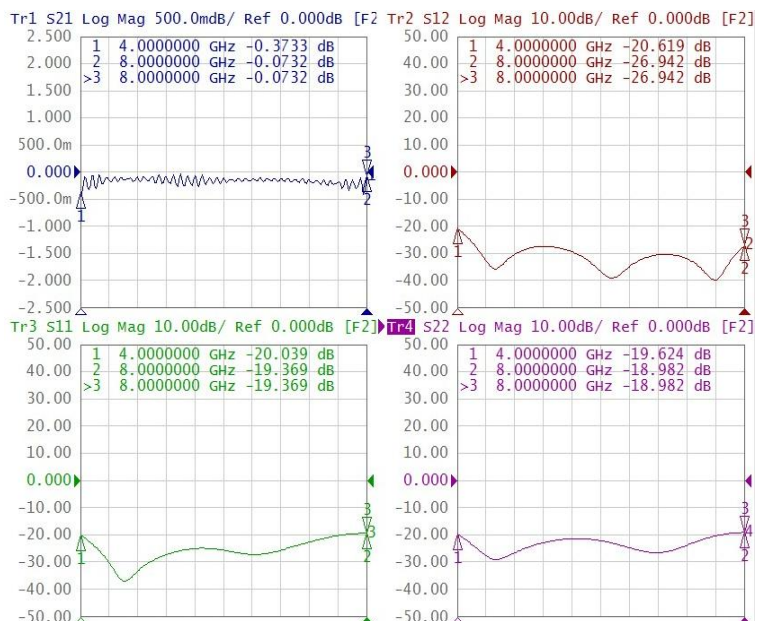
PART NUMBER	FREQUENCY	VSWR (MAX.)	INSERTION LOSS (MAX.)	ISOLATION (MIN.)	FORWARD POWER
MVE7164	4.0-8.0GHz	1.30:1	0.5 dB	18 dB	30W CW

Tolerance: ±0.5mm

## Outline Drawing (Unit: mm)



## Typical Test Report



NOTES:

1. ALL SPECIFICATIONS ARE SUBJECT TO CHANGE WITHOUT NOTICE AT ANY TIME
2. CUSTOMER OUTLINE DRAWING FOR REFERENCE ONLY

