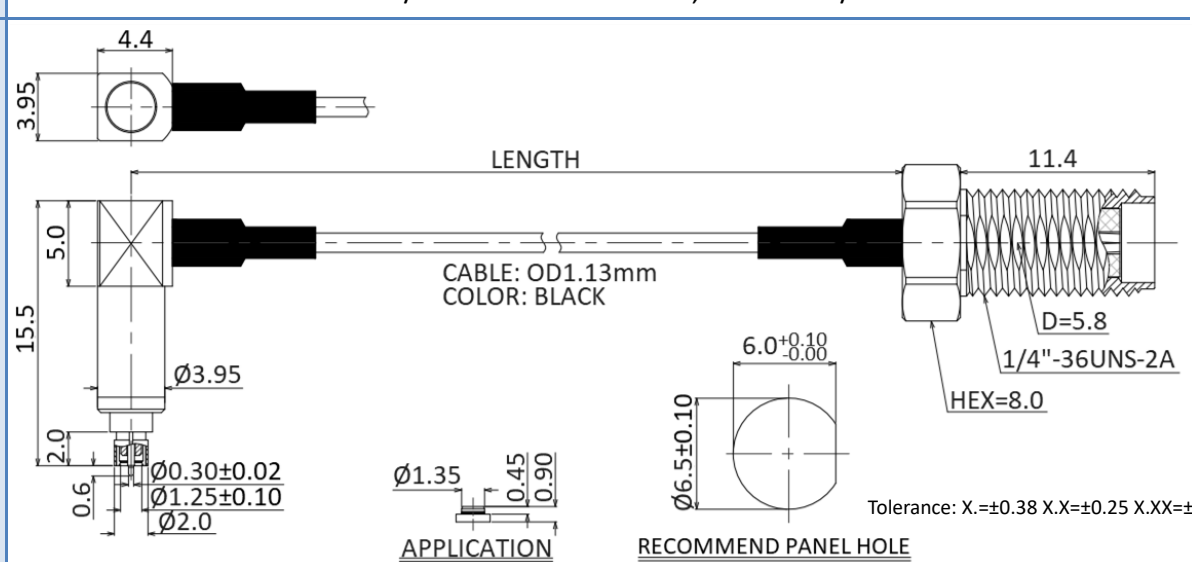


# CABLE ASSEMBLY

## 1.13mm (Black) Cable

## PROBE MM8030-SMA

<b>PART NUMBER</b>	<b>562296.113.XXC</b>	
<b>DESCRIPTION</b>	50ohm RSW MM8030 Male R/A To SMA Female B.H, 1.13 Black/L:XXcm	
<b>OUTLINE</b>	 <p>CABLE: OD1.13mm COLOR: BLACK</p> <p>APPLICATION: <math>\varnothing 1.35</math>, 0.45, 0.90</p> <p>RECOMMEND PANEL HOLE: <math>\varnothing 6.5 \pm 0.10</math></p> <p>Tolerance: X.=<math>\pm 0.38</math> X.X=<math>\pm 0.25</math> X.XX=<math>\pm 0.15</math></p>	
<b>LENGTH</b>	100mm $\pm 5$ mm	P/N: 562296.113.10C
	150mm $\pm 5$ mm	P/N: 562296.113.15C
	200mm $\pm 5$ mm	P/N: 562296.113.20C

<b>FREQUENCY</b>	6GHz
<b>VSWR of Cable Assembly</b>	1.65:1 MAX.
<b>Estimate of Cable Assembly loss</b>	2.0dB MAX.
<b>ELECTRICAL DATA</b>	DIELECTRIC WITHSTANDING VOLTAGE: 100Vrms INSULATION RESISTANCE: 1000MEGA-OHMS
<b>MECHINCAL DATA</b>	COUPLING MERHOD: SNAP-ON (MM8030) DURABILITY: 2000Cycles EXTRACTION FORCE: 30N MAX. (MM8030) DISENGAGEMENT FORCE: 3~40N. TEMPERATURE RANGE: -40°C - +85°C

NOTES:

- ALL SPECIFICATIONS ARE SUBJECT TO CHANGE WITHOUT NOTICE AT ANY TIME
- CUSTOMER OUTLINE DRAWING FOR REFERENCE ONLY



# COAXIAL CABLE

## MCBL-113.50

1.13mm(Black)  
Mini-Coaxial

### Features

- ✓ Frequency up to 6GHz
- ✓ Applicable connectors: SMA/IPEX MHF Series...
- ✓ High productivity

### Specifications

CONSTRUCTION		
ITEM	MATERIAL	DIAMETER
CENTER CONDUCTOR	Silver-Coated Copper	0.24mm
INSULATION	FEP	0.68 ± 0.02mm
BRAID SHIELD (Coverage: 90%)	Tinned-Coated Copper	0.90 ± 0.03mm
JACKET	FEP	1.13 ± 0.05mm
ELECTRICAL DATA		
ITEM	SPECIFICATION	
CUT-OFF FREQUENCY	6 GHz	
NOM. IMPEDANCE	50 ± 3 Ohms	
NOM. CAPACITANCE	96 ± 3 pF/m	
NOM. VEL. OF PROP.	69%	
DIELECTRIC RESISTANCE	AC 1.0KV/Minute	
TEST VOLTAGE	2.5KV	
FREQUENCY	ATTENUATION (dB/1M)	
1.0GHz	2.00	
2.0GHz	3.02	
2.4GHz	3.35	
3.0GHz	3.81	
5.0GHz	5.02	
6.0GHz	5.22	



NOTES:

1. ALL SPECIFICATIONS ARE SUBJECT TO CHANGE WITHOUT NOTICE AT ANY TIME
2. CUSTOMER OUTLINE DRAWING FOR REFERENCE ONLY



## Typical Test Result

PART NUMBER	DESCRIPTION
562296.113.15C	50ohm RSW MM8030 Male R/A To SMA Female B.H, 1.13 Black/L:15cm

