

# COAXIAL CONNECTOR

## SMA MALE R/A FOR PCB TYPE

### Features

- ✓ Frequency up to 12.4GHz
- ✓ Low VSWR
- ✓ High Durability

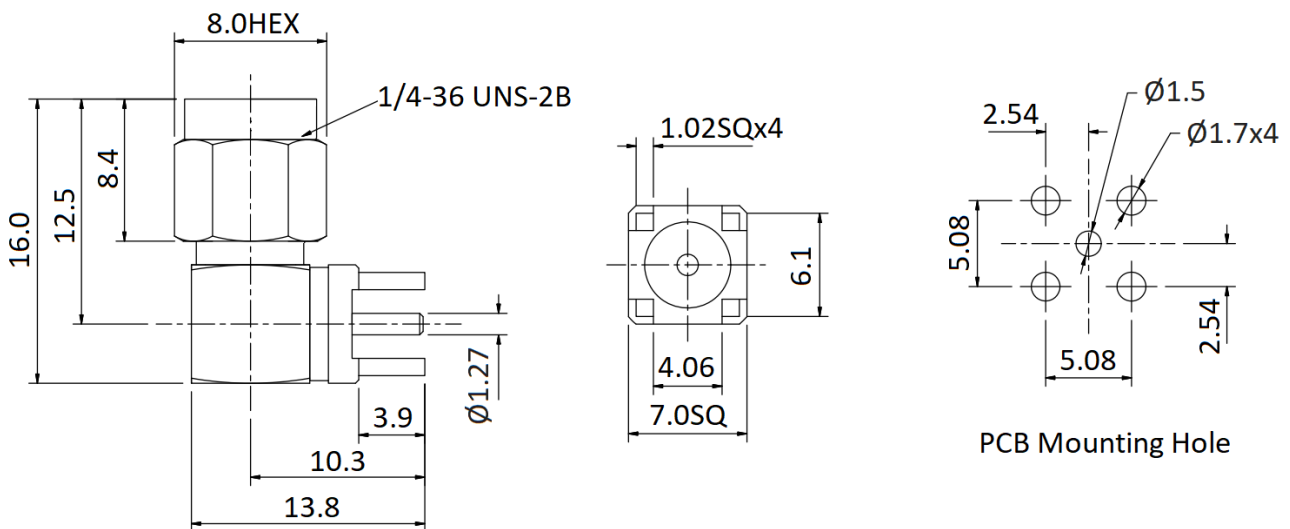


### Specifications

<b>PART NUMBER</b>	<b>MVE3106-16.0</b>	
<b>DESCRIPTION</b>	SMA Male R/A For PCB Connector, DIP DC-12.4GHz	
	<b>ELECTRICAL</b>	<b>MATERIALS</b>
	FREQUENCY: DC-12.4 GHz IMPEDANCE: 50 Ohm VSWR: 1.3:1 MAX. WORKING VOLTAGE: 500Vrms MAX. DIELECTRIC WITHSTANDING VOLTAGE: 1000Vrms MAX. INSULATOR RESISTANCE: 5000 MEGOHMS MIN.	BODY: BRASS, GOLD PLATED CONTACT: BRASS, GOLD PLATED INSULATOR: PTFE C-RING: BE COPPER GASKET: SILICON

TOLERANCE: X=±0.2 X.X=±0.1 X.XX=±0.05

### Outline Drawing (Unit: mm)



NOTES:

1. ALL SPECIFICATIONS ARE SUBJECT TO CHANGE WITHOUT NOTICE AT ANY TIME
2. CUSTOMER OUTLINE DRAWING FOR REFERENCE ONLY

