

## ELECTRICAL DATA

FREQUENCY : DC-8GHz

IMPEDANCE: 50Ω

VSWR:1.5:1 MAX. (DC-8GHz)

INSERTION LOSS: 1 dB MAX.

DIELECTRIC WITHSTANDING VOLTAGE: 500 Vrms

WORKING VOLTAGE: 170 Vrms MAX.

INSULATION RESISTANCE: 1000Mega Ohms

CENTER CONTACT RESISTANCE: 6.0 mini Ohm

OUTER CONTACT RESISTANCE: 2.5 mini Ohm

## MECHANICAL DATA

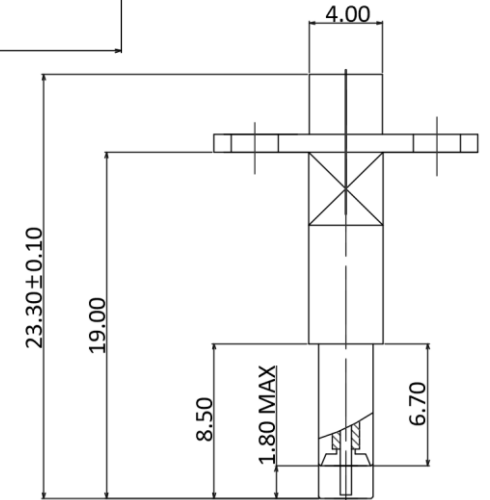
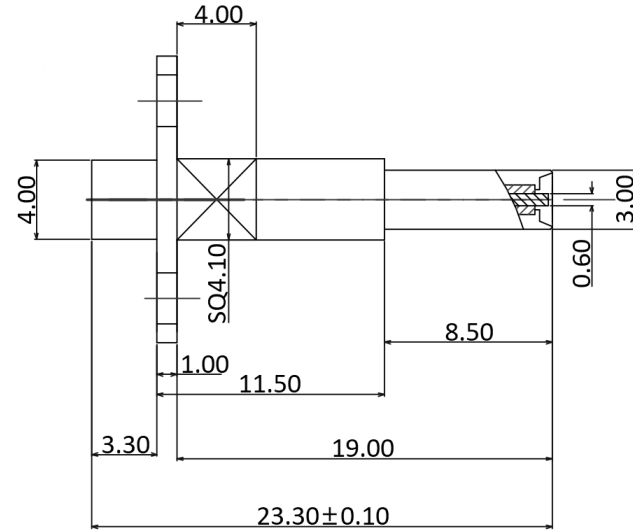
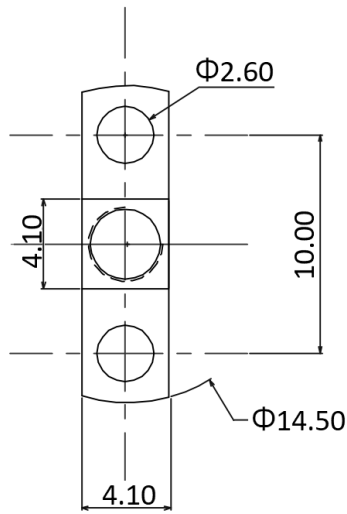
DOUBLT SPRING DESIGN

DURABILITY(MATING/UNMATING):10,000 Cycles

## APPLICATION



Fully mating with Hirose U.FL , IPEX MHF.



DESCRIPTION	MATERIALS	ROHS COMPLIANCE	UNIT: mm
SPRING	SUS304	TOLERANCE: X=±0.2 X.X=0.01 X.XX=±0.05	
INSULATOR	TEFLON	TITLE MMCX Female To U.FL Probe Adapter, DC-8GHz	
BODY	TEFLON BRASS,GOLD PLATED		

## NOTES

1. ALL SPECIFICATIONS ARE SUBJECT TO CHANGE WITHOUT NOTICE AT ANY TIME
2. CUSTOMER OUTLINE DRAWING FOR REFERENCE ONLY



芝程科技有限公司

[www.micro-mve.com](http://www.micro-mve.com)

DC-67GHz RF& Microwave Components

PART NO.

**MVE1968**

REV

**2.3**

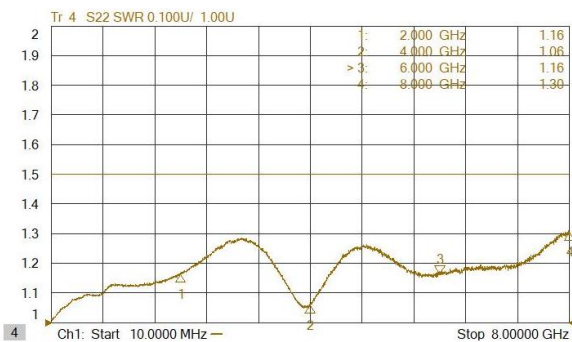
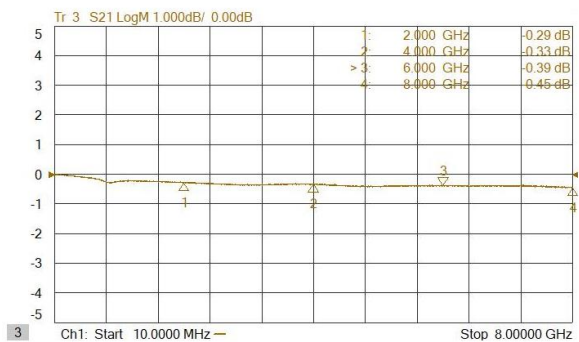
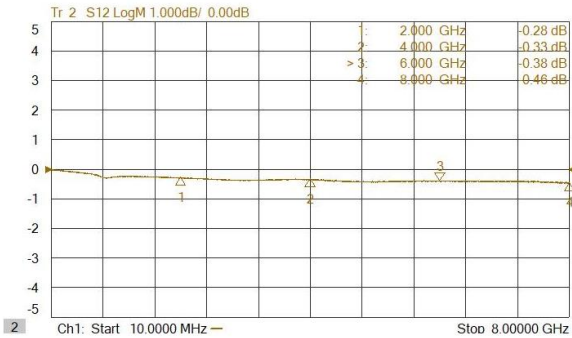
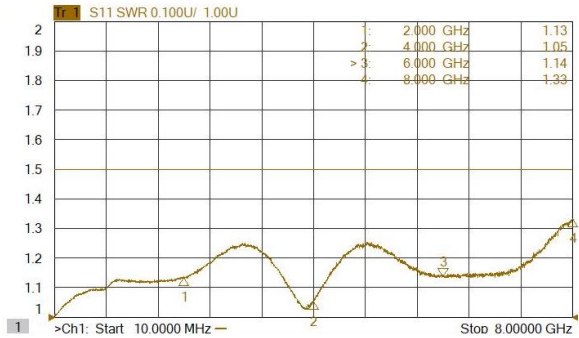
SIZE: A

SHEET: 1/1

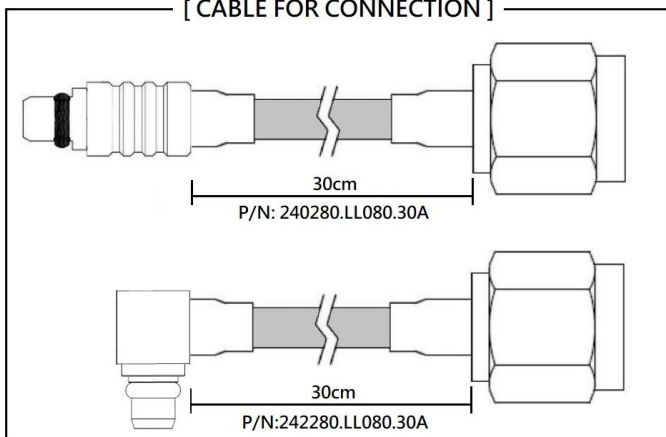
SCALE:

# Typical Test Result

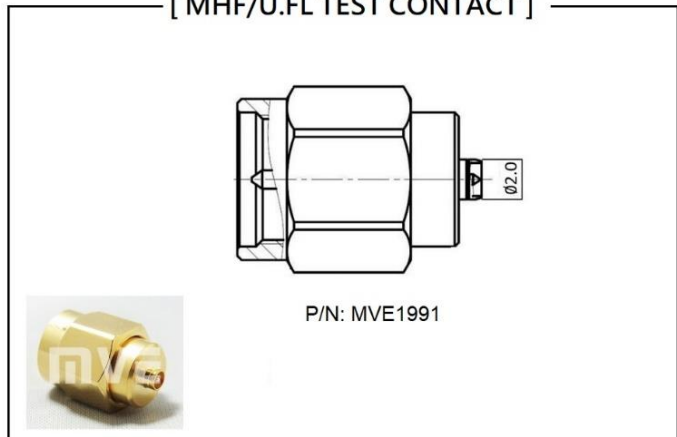
PART NUMBER	DESCRIPTION
MVE1968	MMCX Female To U.FL Probe Adapter, DC-8GHz



[ CABLE FOR CONNECTION ]



[ MHF/U.FL TEST CONTACT ]



## NOTES

1. ALL SPECIFICATIONS ARE SUBJECT TO CHANGE WITHOUT NOTICE AT ANY TIME
2. CUSTOMER OUTLINE DRAWING FOR REFERENCE ONLY