

# COAXIAL ADAPTER

## SMA-SMA Standard Series

### Features

- ✓ Frequency Range: DC to 10 GHz
- ✓ Low VSWR
- ✓ SMA to SMA R/A Interface

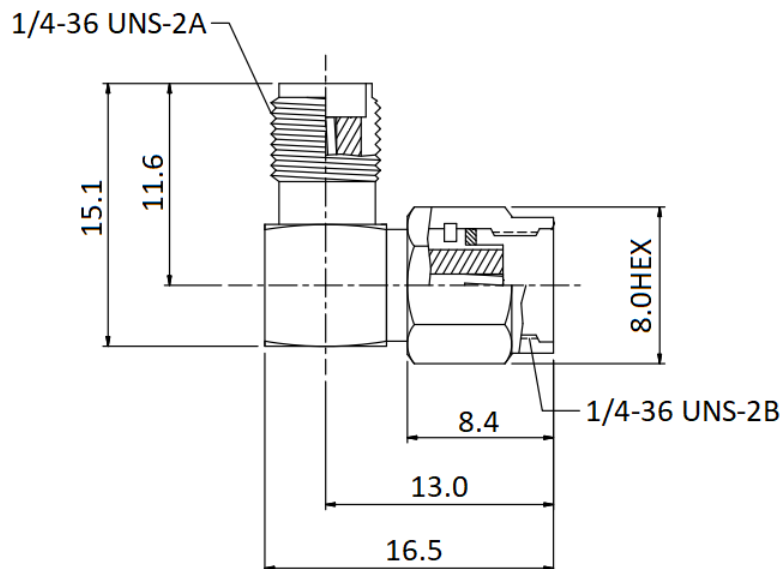


### Specifications:

<b>PART NUMBER</b>	<b>MVE1770</b>
<b>DESCRIPTION</b>	SMA Male Reverse To SMA Female R/A Adapter, DC-10GHz
<b>ELECTRICAL</b>	<b>MATERIALS</b>
FREQUENCY : DC-10GHz IMPEDANCE: 50ohm VSWR: 1.40:1 MAX. WORKING VOLTAGE: 335Vrms MAX. DIELECTRIC WITHSTANDING VOLTAGE: 1000Vrms MAX. INSULATOR RESISTANCE:5000MEGOHMS MIN.	BODY: BRASS, GOLD PLATED CONTACT: Be. COPPER, GOLD PLATED INSULATOR: PTFE SHELL: BRASS, GOLD PLATED C-RING: Be. COPPER GASKET: SILICON

TOLERANCE: X=±0.2 X.X=±0.1 X.XX=±0.05

### Outline Drawing (Unit: mm)

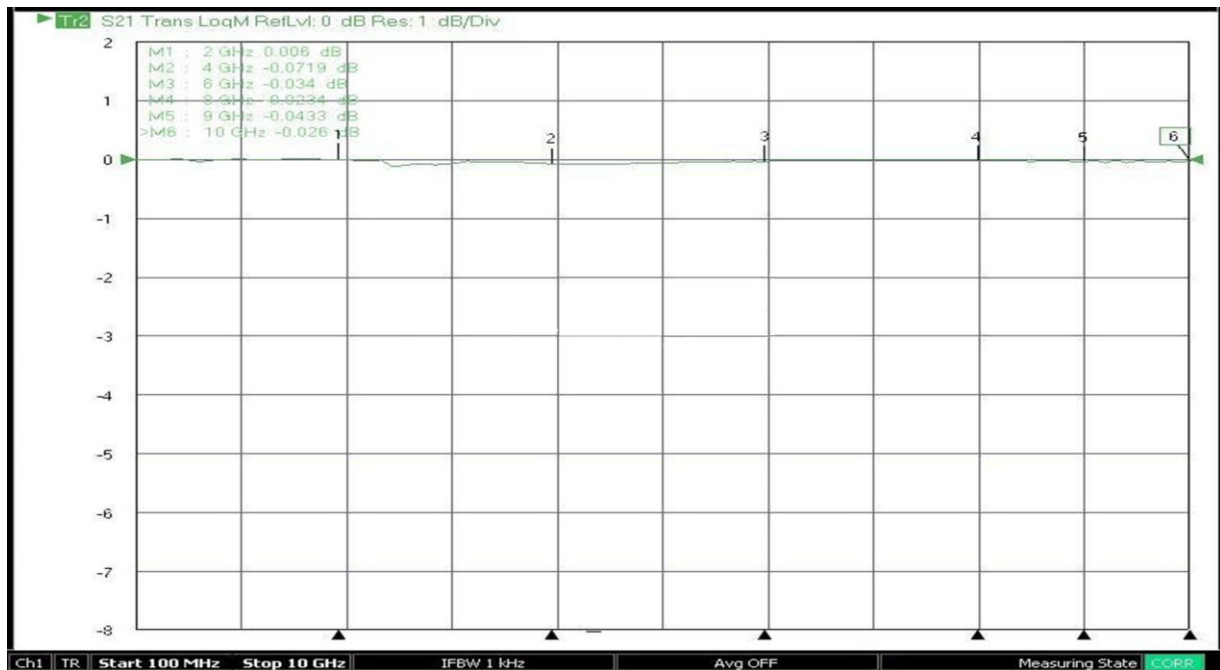
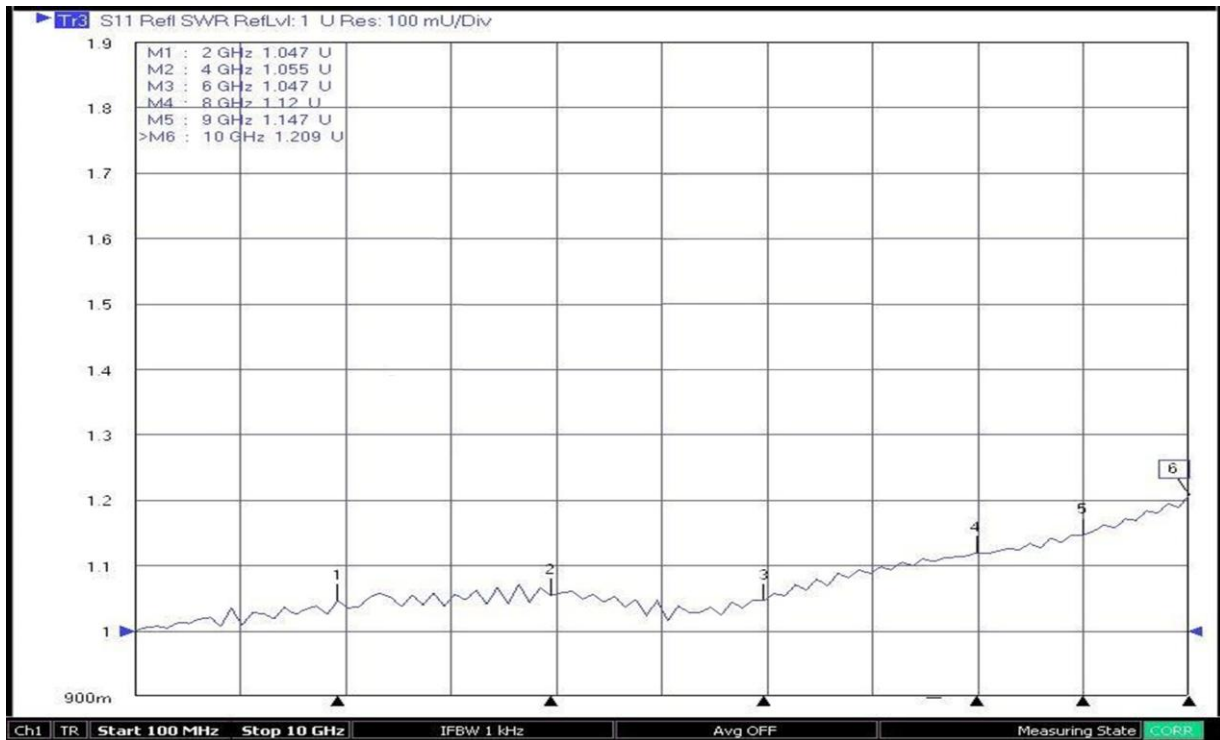


NOTES:

1. ALL SPECIFICATIONS ARE SUBJECT TO CHANGE WITHOUT NOTICE AT ANY TIME
2. CUSTOMER OUTLINE DRAWING FOR REFERENCE ONLY



## Typical Test Result



NOTES:

1. ALL SPECIFICATIONS ARE SUBJECT TO CHANGE WITHOUT NOTICE AT ANY TIME
2. CUSTOMER OUTLINE DRAWING FOR REFERENCE ONLY

