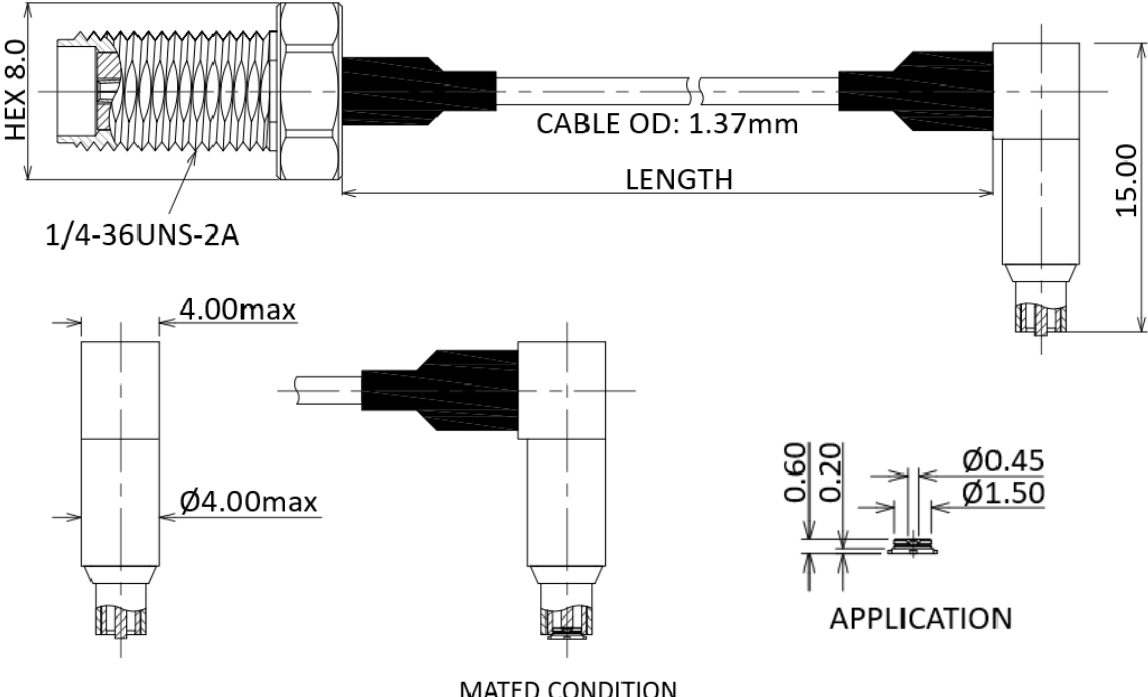


# CABLE ASSEMBLY

## 1.37mm (Black) Cable

### PROBE MM4829-SMA



<b>PART NUMBER</b>	<b>296830.137.XX</b>	
<b>DESCRIPTION</b>	50ohm SMA Female BH To RSW MM4829 Male R/A, 1.37 Black/L:XXcm	
<b>OUTLINE</b>		
<b>LENGTH</b>	300mm±10.0mm	P/N: 296830.137.30

<b>Optional Code</b>	A	Brass Tubing (Glued Heat Shrinkable Tube)
<b>VSWR of Cable Assembly</b>	1.35:1 MAX.(DC-3GHz); 1.5:1 MAX.(3-6GHz)	
<b>ELECTRICAL DATA</b>	DIELECTRIC WITHSTANDING VOLTAGE: 200Vrms INSULATION RESISTANCE: 500Mega-Ohms CENTER CONTACT RESISTANCE: [20+L(mm)*0.5] mini-Ohms OUTER CONTACT RESISTANCE: [12+L(mm)*0.5] mini-Ohms	
<b>MECHINCAL DATA</b>	COUPLING METHOD: THREADED DURABILITY: 500Cycles TEMPERATURE RANGE: -65°C - +165°C	

NOTES:  
 1. ALL SPECIFICATIONS ARE SUBJECT TO CHANGE WITHOUT NOTICE AT ANY TIME  
 2. CUSTOMER OUTLINE DRAWING FOR REFERENCE ONLY



# COAXIAL CABLE

## MCBL-137.50

1.37mm(Black)

### Features

- ✓ Frequency up to 6GHz
- ✓ Low signal attenuation
- ✓ Convenient assembly



### Specifications

#### CONSTRUCTION

ITEM	MATERIAL	DIAMETER
CENTER CONDUCTOR	Silver-Coated Copper	0.31 mm
INSULATION	FEP	0.92 ± 0.03 mm
BRAID SHIELD (Coverage:95%)	Tinned-Coated Copper	1.15 ± 0.05 mm
JACKET	FEP	1.37 ±0.05mm

#### ELECTRICAL DATA

ITEM	SPECIFICATION
OPERATING FREQUENCY	6GHz
BEDNING RADIUS	5mm Min.(Static)
CAPACITANCE	96 pF/M ± 3pF/M
DIELECTRICE STRENGTH	AC 1KV/Minute
NOM. VEL. OF PROP.	70%
OPETATING TEMP.	-55 ~ + 150°C

#### MAXIMUM ATTENUATION

FREQIEMCY	ATTENUATION dB/1M
1.8GHz	2.2
2.4GHZ	2.6
5.2GHz	3.9
5.8GHz	4.3
6.0GHz	4.8



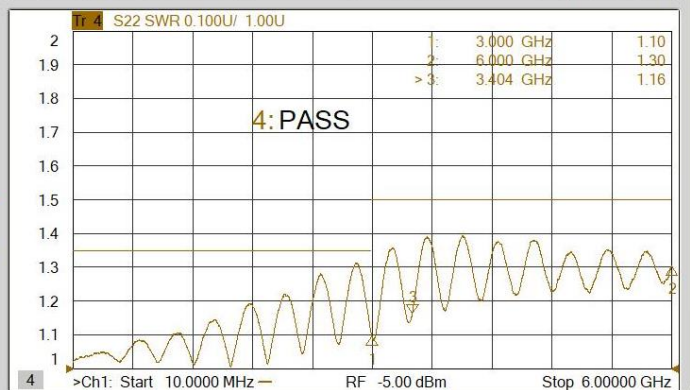
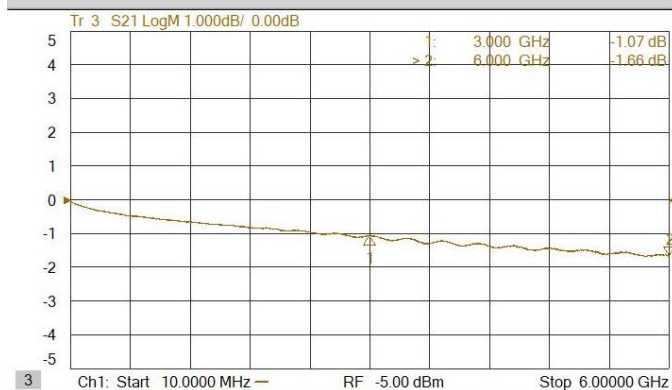
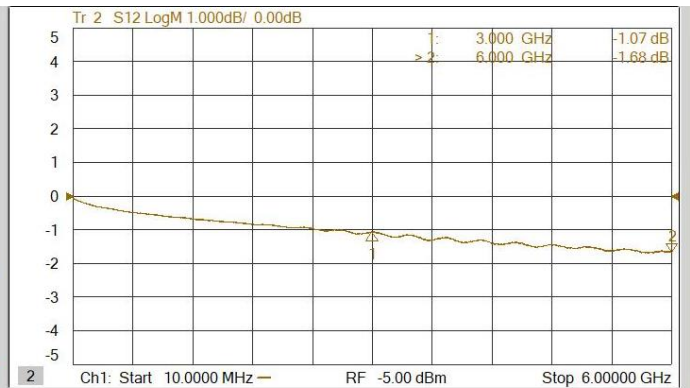
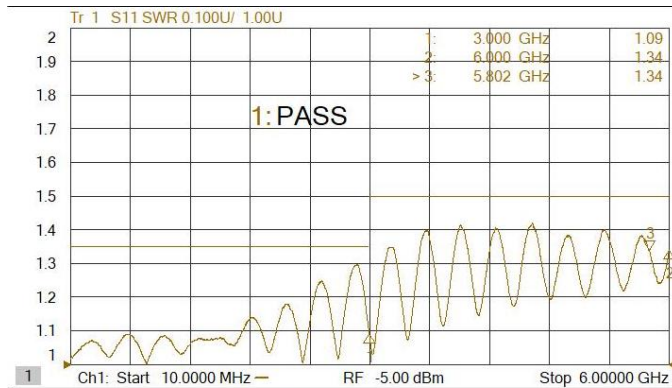
NOTES:

1. ALL SPECIFICATIONS ARE SUBJECT TO CHANGE WITHOUT NOTICE AT ANY TIME
2. CUSTOMER OUTLINE DRAWING FOR REFERENCE ONLY



## Typical Test Result

PART NUMBER	DESCRIPTION
296830.137.30	50ohm SMA Female BH To RSW MM4829 Male R/A, 1.37 Black/L:30cm, DC-6GHz



NOTES:

1. ALL SPECIFICATIONS ARE SUBJECT TO CHANGE WITHOUT NOTICE AT ANY TIME
2. CUSTOMER OUTLINE DRAWING FOR REFERENCE ONLY

