

DC BLOCK

N Series 0.01-6GHz

Features

- ✓ Frequency Range: 10MHz to 6GHz
- ✓ Low VSWR
- ✓ Low Insertion Loss

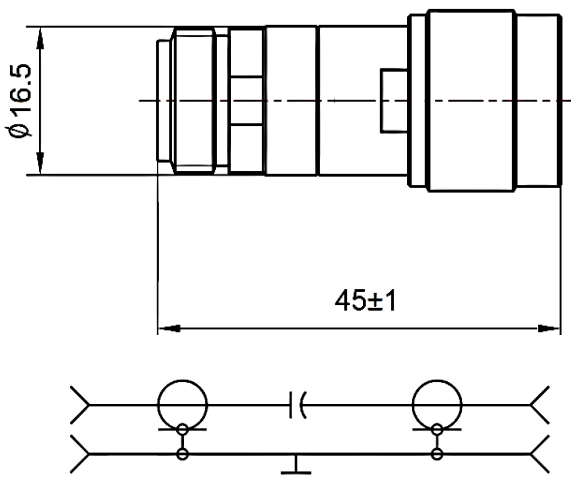


Specifications

| | |
|---|---|
| PART NUMBER | MVE6150 |
| DESCRIPTION | N Male to Female In/out 50V DC Block, 2W 0.01-6GHZ |
| ELECTRICAL | MATERIALS |
| FREQUENCY: 0.01-6GHz IMPEDANCE: 50ohm INSERTION LOSS: 0.3 dB MAX. VSWR: 1.25:1 MAX. DC VOLTAGE: 50V TEMPERATURE: -55°C~100°C | BODY: BRASS, GOLD PLATED CONNECTORS: BRASS, TERNARY ALLOY PLATED |

Tolerance: ±0.5mm

Outline Drawing (Unit: mm)



NOTES:

1. ALL SPECIFICATIONS ARE SUBJECT TO CHANGE WITHOUT NOTICE AT ANY TIME
2. CUSTOMER OUTLINE DRAWING FOR REFERENCE ONLY

Typical Test Report

