

FIXED ATTENUATOR

F TYPE
5 to 3000MHz

Features

- ✓ Frequency Range: 5 to 3000MHz
- ✓ High Accuracy
- ✓ High performance design



Specifications

PART NUMBER	IMPEDANCE	FREQUENCY	STANDARD VALUE	AVERAGE POWER	CONNECTOR TYPE
MVE2117-XX	75 ohms	5-3000MHz	1-10,16,20,30	≤1 Watt	F Male - F Female

-XX: Insert dB value desired

ATTENUATION ACCURACY

1-20dB: ±1.2dB
30dB: ±2.0dB

RETURN LOSS

1-30dB: ≥14dB

MATERIALS/FINISH

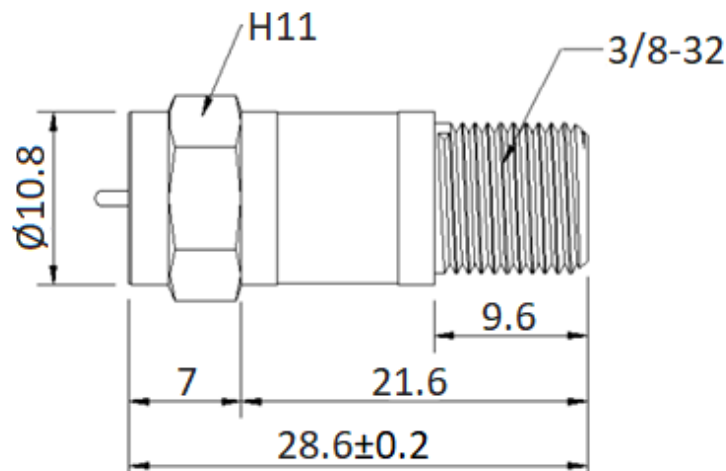
BODY: COPPER, NICKEL PLATED
CENTER CONTACT: COPPER, GOLD PLATED
INSULATOR: POM

ENVIRONMENTAL

TEMPERATURE RANGE: -10°C TO +60°C

Tolerance: ±0.5mm

Outline Drawing (Unit: mm)

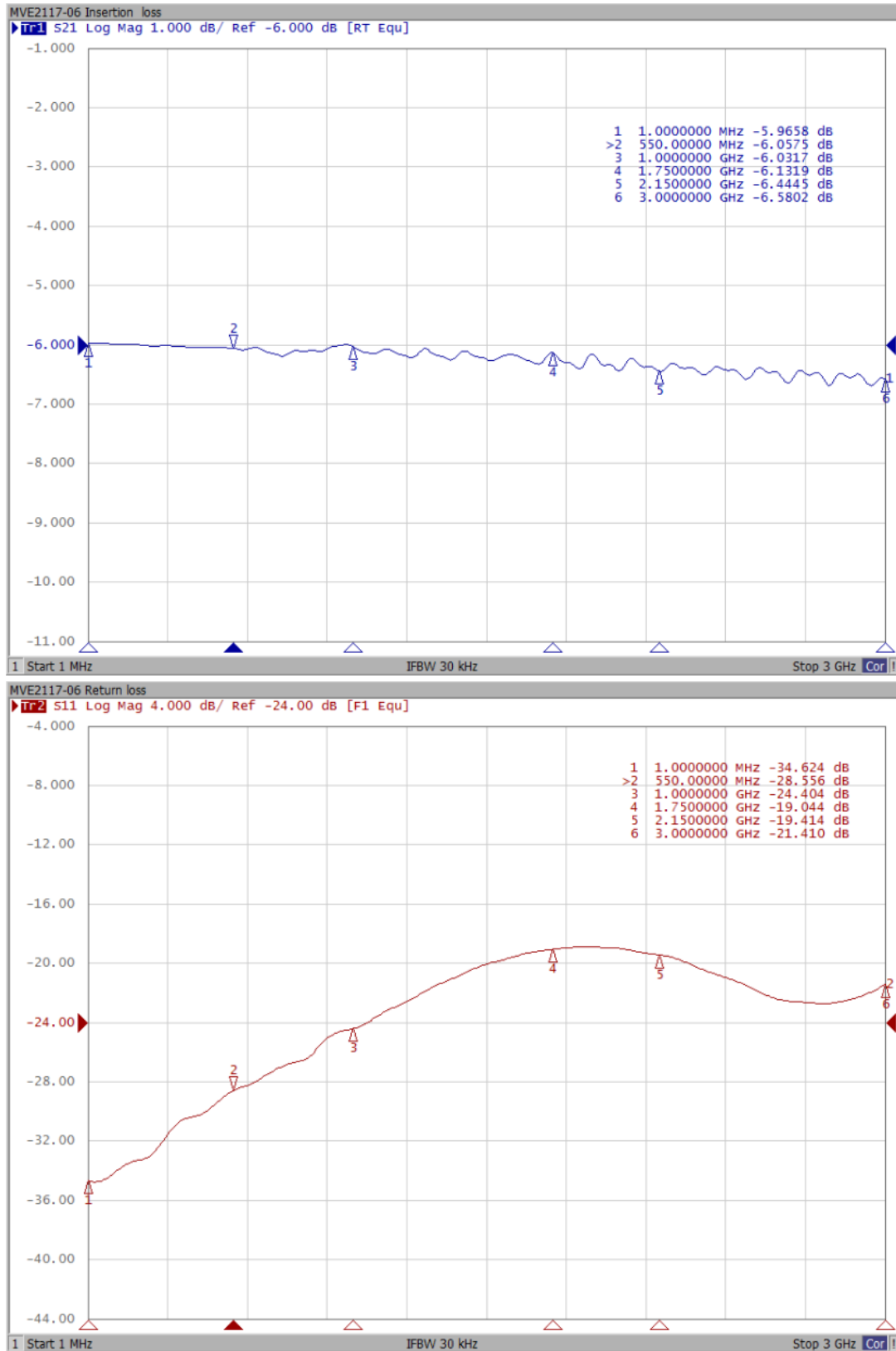


NOTES:

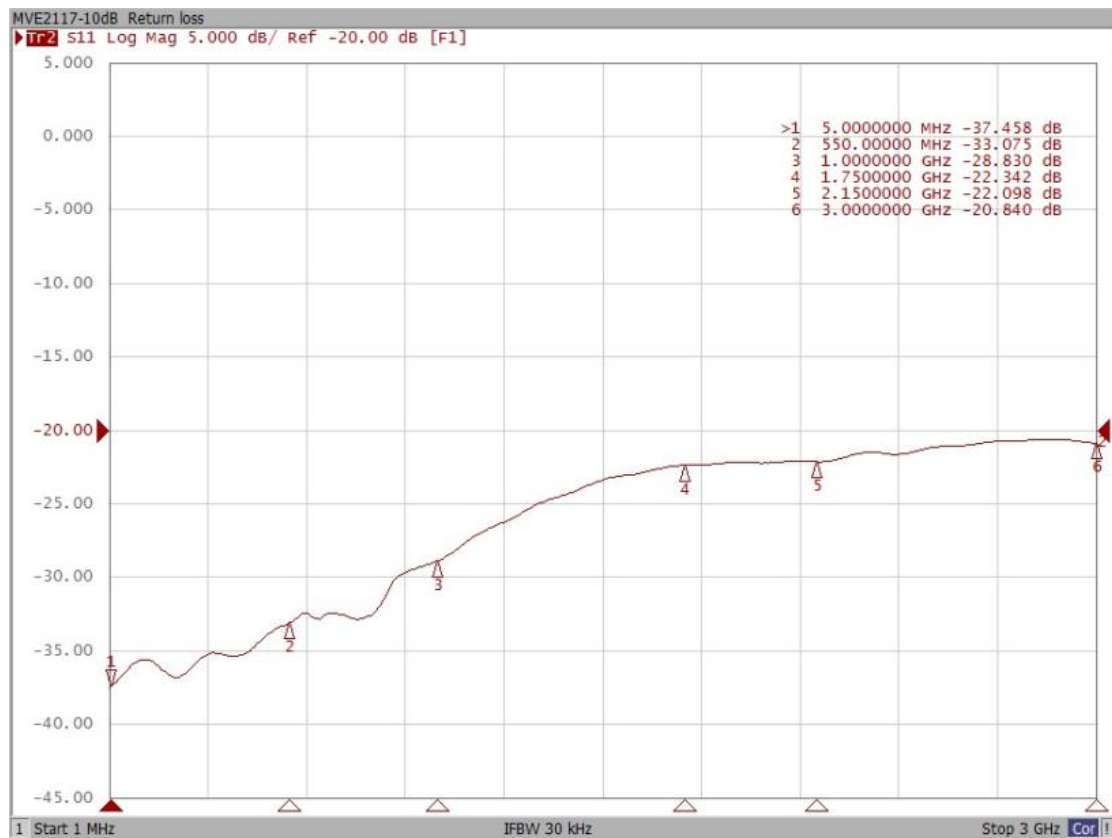
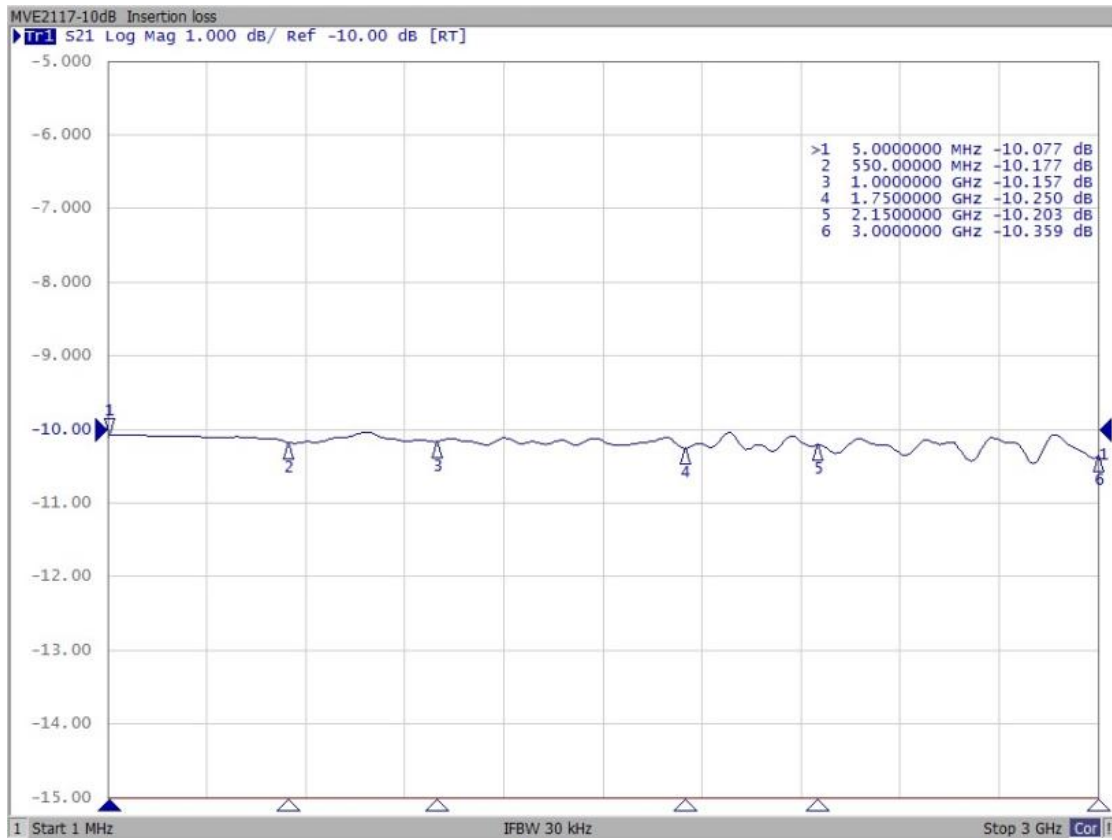
1. ALL SPECIFICATIONS ARE SUBJECT TO CHANGE WITHOUT NOTICE AT ANY TIME
2. CUSTOMER OUTLINE DRAWING FOR REFERENCE ONLY



Typical Test Result (MVE2117-06)



(MVE2117-10)



(MVE2117-20)

