

ELECTRICAL DATA

FREQUENCY : DC-9GHz

IMPEDANCE: 50Ω

VSWR: 1:1.3 MAX.(DC-3GHz)

1:1.6 TYP.(3~9GHz)

INSULATION RESISTANCE: 1000 Mega-Ohms

DIELECTRIC WITHSTANDING VOLTAGE: 500Vrms

CENTER CONTACT RESISTANCE: 10.0 Mini-Ohms

OUTER CONTACT RESISTANCE: 6.0 Mini-Ohms

MECHANICAL DATA

COUPLING METHOD: FLOATING/SNAP-ON

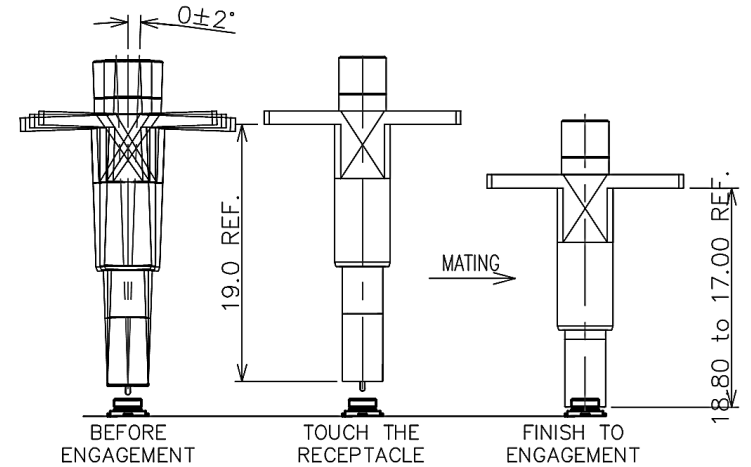
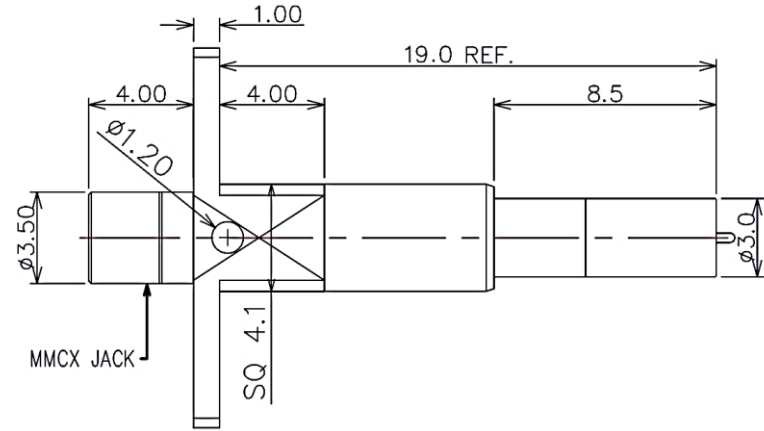
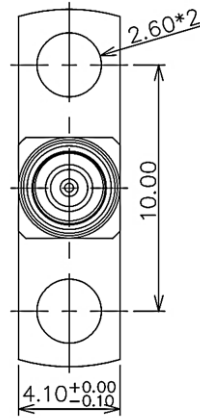
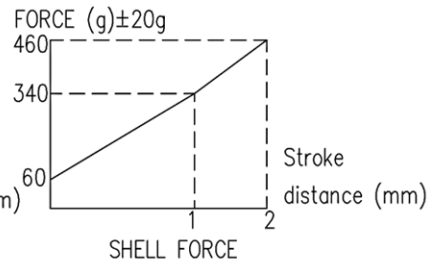
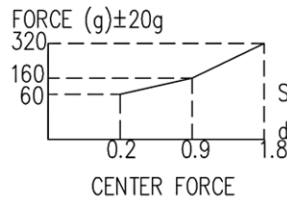
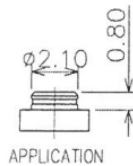
TEMPERATURE RANGE: -65~165°C

DURABILITY:MMCX-500 CYCLES MIN.

MM8430-30K CYCLES MIN.

APPLICATION

Fully mating with MM8430, MM8130



DESCRIPTION	MATERIALS	ROHS COMPLIANCE	UNIT: mm
BODY	BRASS,GOLD PLATED	TOLERANCE: X=±0.38 X.X=±0.25 X.XX=±0.15	
INNER SHELL	BRASS,GOLD PLATED	TITLE MMCX Female To MM8430 Adapter, DC-9GHz	
SPRING	SUS304		
INNER INSULATOR	TEFLON		

MVE 芝程科技有限公司
www.micro-mve.com

DC-67GHz RF& Microwave Components

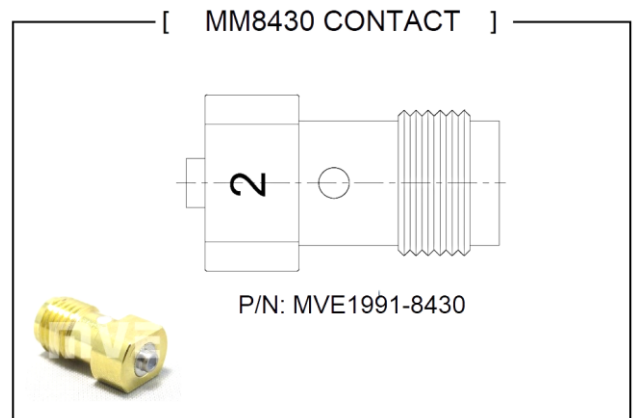
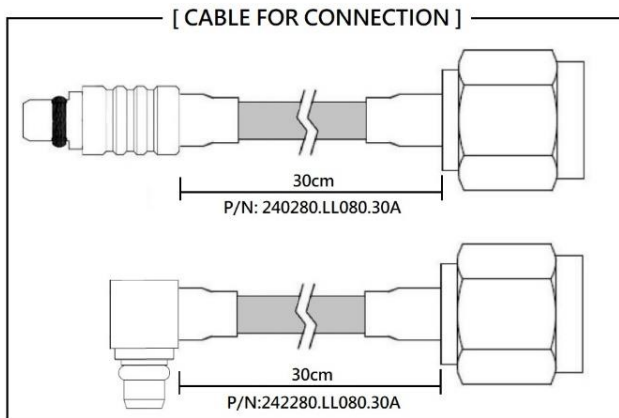
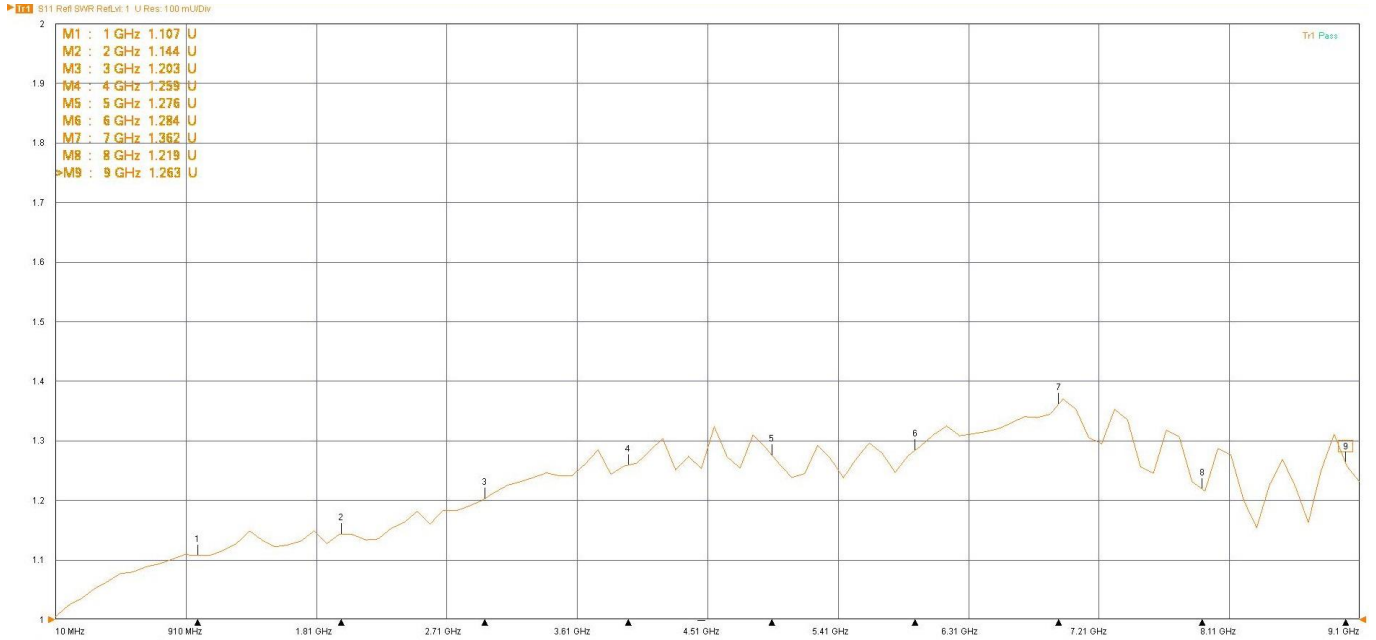
PART NO.	MVE1999	REV	3.4
SIZE: A	SHEET: 1/1	SCALE:	

NOTES

1. ALL SPECIFICATIONS ARE SUBJECT TO CHANGE WITHOUT NOTICE AT ANY TIME
2. CUSTOMER OUTLINE DRAWING FOR REFERENCE ONLY

Typical Test Result

PART NUMBER	DESCRIPTION
MVE1999	MMCX Female To MM8130/MM8430 Probe Adapter, DC-9GHz



NOTES

1. ALL SPECIFICATIONS ARE SUBJECT TO CHANGE WITHOUT NOTICE AT ANY TIME
2. CUSTOMER OUTLINE DRAWING FOR REFERENCE ONLY