

## ELECTRICAL DATA

FREQUENCY : DC-9GHz

IMPEDANCE: 50Ω

VSWR:1.3:1 MAX. (DC-3GHz) / 1.5:1 TYP. (3-9GHz)

INSERTION LOSS: 1 dB MAX.

DIELECTRIC WITHSTANDING VOLTAGE: 500 Vrms

INSULATION RESISTANCE: 1000Mega Ohms

CENTER CONTACT RESISTANCE: 10.0 mini Ohm

OUTER CONTACT RESISTANCE: 6.0 mini Ohm

## MECHANICAL DATA

COUPLING METHOD: FLOATING/SNAP-ON

DURABILITY(MATING/UNMATING):

500 Cycles(MMCX); 5000 Cycles(U.FL)

TEMPERATURE RANGE: 65° to 165°

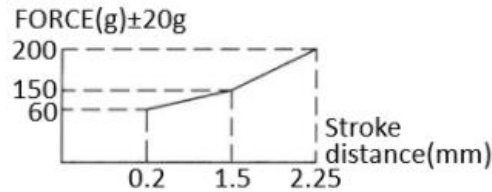
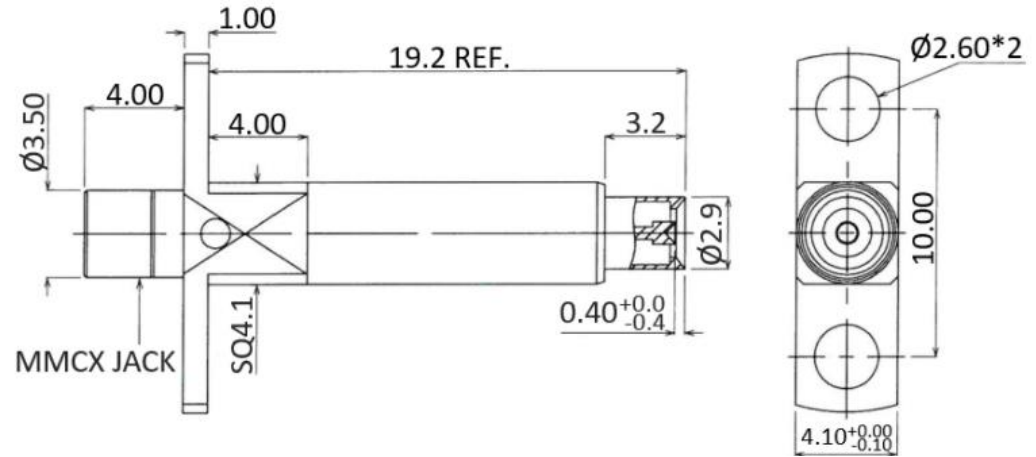
## APPLICATION



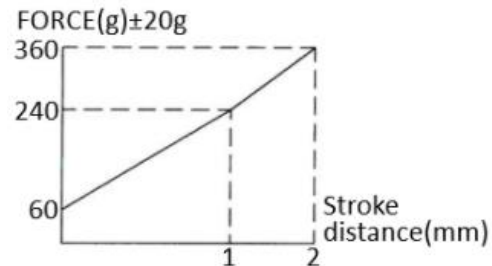
Fully mating with Hirose U.FL , IPEX MHF.



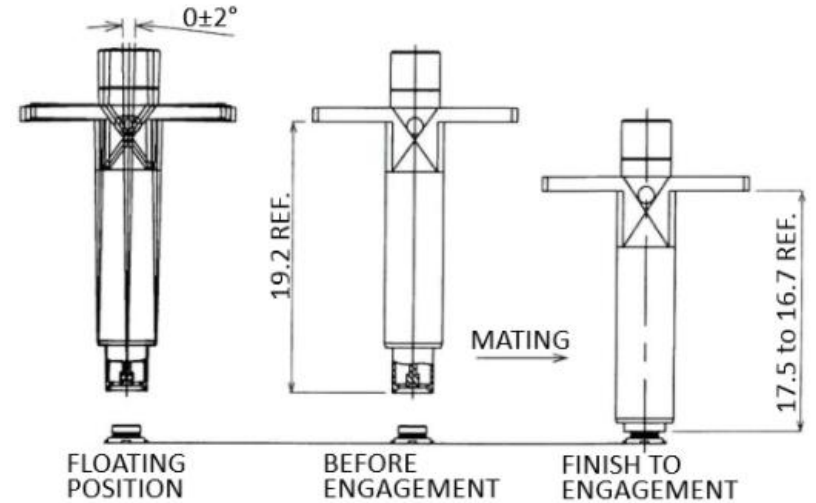
APPLICATION



CENTER FORCE



SHELL FORCE



DESCRIPTION	MATERIALS	ROHS COMPLIANCE	UNIT: mm
SPRING	SUS304	TOLERANCE: X=±0.38 X.X=±0.25 X.XX=±0.15	
INSULATOR	TEFLON	TITLE	
BODY	BRASS/BE CU,GOLD PLATED	MMCX Female To U.FL/MHF Probe Adapter, DC-9GHz(Pin:0.9)	

## NOTES

1. ALL SPECIFICATIONS ARE SUBJECT TO CHANGE WITHOUT NOTICE AT ANY TIME
2. CUSTOMER OUTLINE DRAWING FOR REFERENCE ONLY

**MVE** Microwave 芝程科技有限公司

[www.micro-mve.com](http://www.micro-mve.com)

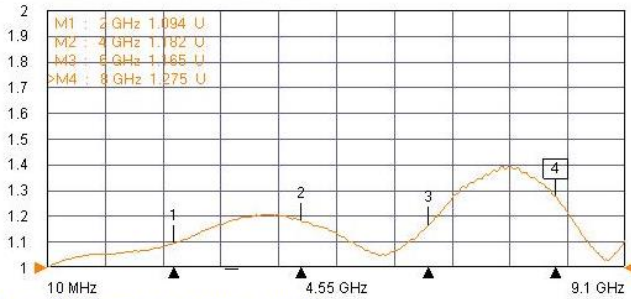
DC-67GHz RF& Microwave Components

PART NO.	<b>MVE1968-30.4</b>	REV	<b>4.3</b>
SIZE: A	SHEET: 1/1	SCALE:	

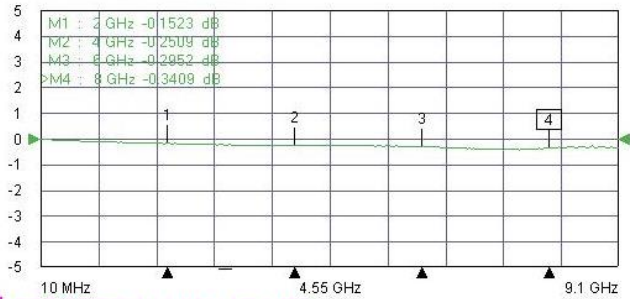
# Typical Test Result

PART NUMBER	DESCRIPTION
MVE1968-30.4	MMCX Female To U.FL/MHF Probe Adapter, DC-6GHz(Pin:0.9)

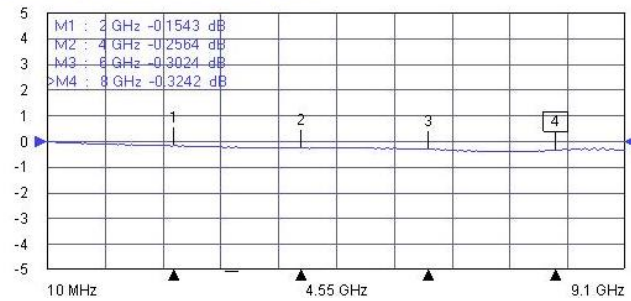
Tr1 S11 Refl SWR RefLvl: 1 U Res: 100 mU/Div



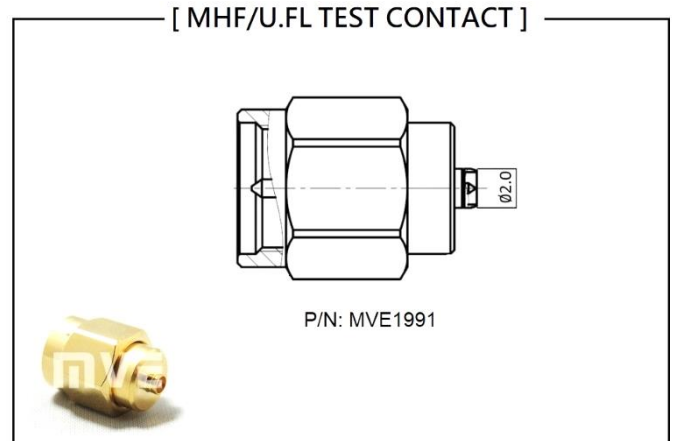
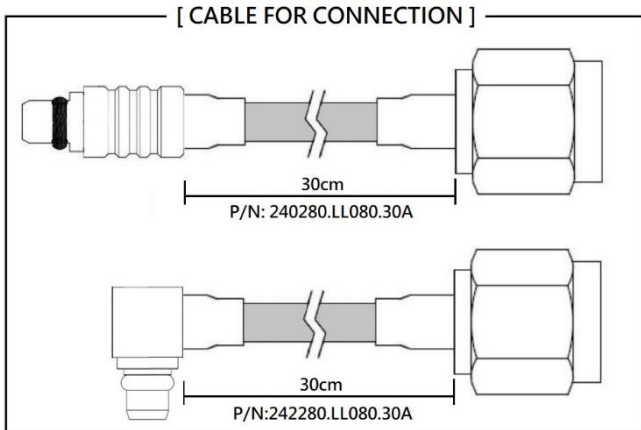
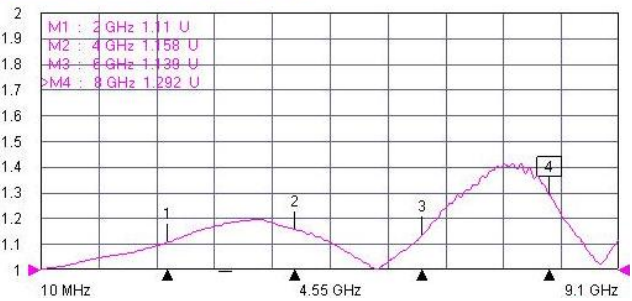
Tr2 S12 Trans LogM RefLvl: 0 dB Res: 1 dB/Div



Tr3 S21 Trans LogM RefLvl: 0 dB Res: 1 dB/Div



Tr4 S22 Refl SWR RefLvl: 1 U Res: 100 mU/Div



## NOTES

1. ALL SPECIFICATIONS ARE SUBJECT TO CHANGE WITHOUT NOTICE AT ANY TIME
2. CUSTOMER OUTLINE DRAWING FOR REFERENCE ONLY