

COAXIAL ADAPTER

75OHM F (Push Type) Standard Series

Features

- ✓ High performance design
- ✓ Frequency Range: DC to 2 GHz
- ✓ Low VSWR

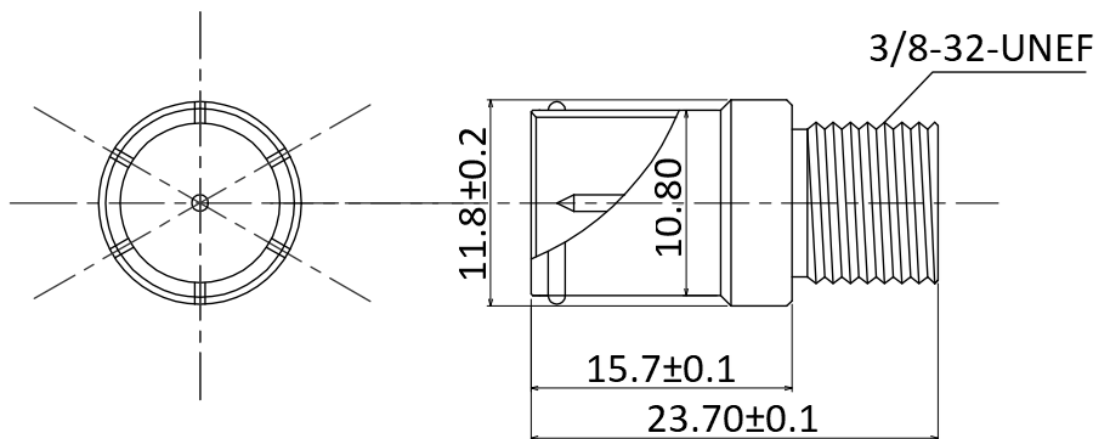


Specifications

PART NUMBER	MVE1001-2	
DESCRIPTION	75 Ohm F Male (Push Type) To F Female Adapter/L:23.7mm	
	ELECTRICAL	MATERIALS
	FREQUENCY :DC-2GHz IMPEDANCE: 75 Ohm VSWR:1.5:1 MAX.	BODY: BRASS, NICKEL PLATED CENTER PIN: BRASS, NICKLE PLATED INSULATOR: DELRIN

TOLERANCE: X.X=±0.2

Outline Drawing (Unit: mm)



NOTES:
1. ALL SPECIFICATIONS ARE SUBJECT TO CHANGE WITHOUT NOTICE AT ANY TIME
2. CUSTOMER OUTLINE DRAWING FOR REFERENCE ONLY

