

DC BLOCK

SMA Series 9kHz-26.5GHz

Features

- ✓ Frequency up to 26.5 GHz
- ✓ Low VSWR
- ✓ Low Insertion Loss

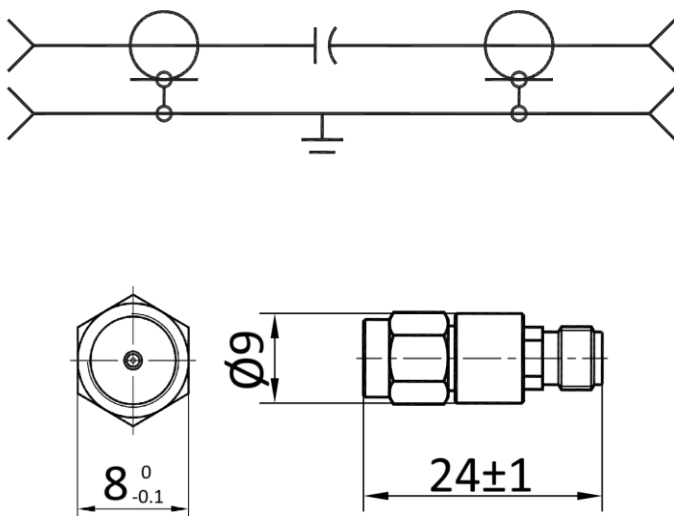


Specifications

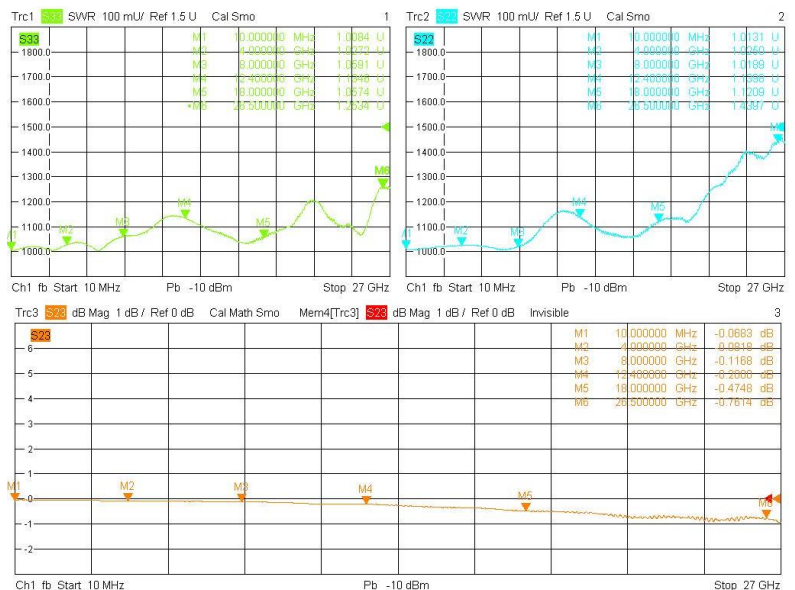
PART NUMBER	MVE6119
DESCRIPTION	SMA M/F Inner 50V DC Block, 9kHz-26.5GHz /Stainless
ELECTRICAL	MATERIALS
FREQUENCY: 9kHz-26.5GHz (The test report only covers 10 MHz to 26.5 GHz) IMPEDANCE: 50ohm INSERTION LOSS: 1.0dB MAX. VSWR: 1.55:1 MAX. WORKING VOLTAGE: 50V	CONNECTOR: STAINLESS STEEL, PASSIVATED INSULATOR: PEI

Tolerance: ±0.5mm

Outline Drawing (Unit: mm)



Typical Test Result



NOTES:

1. ALL SPECIFICATIONS ARE SUBJECT TO CHANGE WITHOUT NOTICE AT ANY TIME
2. CUSTOMER OUTLINE DRAWING FOR REFERENCE ONLY

