

COAXIAL ADAPTER

SMA-MHF5 Standard Series

Features

- ✓ Frequency Range: DC to 6GHz
- ✓ Low VSWR
- ✓ High performance design

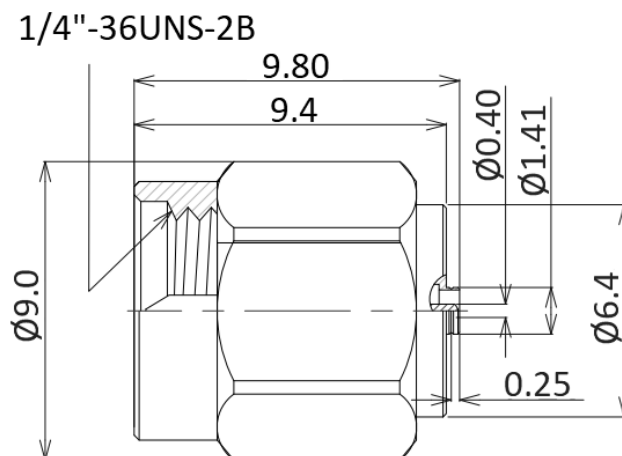


Specifications

PART NUMBER	MVE1991-5
DESCRIPTION	SMA Male To MHF5 Female Adapter, DC-6GHz
ELECTRICAL	MATERIALS
FREQUENCY: DC-6GHz IMPEDANCE: 50ohm VSWR: 1.25:1 MAX. DIELECTRIC WITHSTANDING VOLTAGE: 500Vrms WORKING VOLTAGE: 170Vrms MAX. INSULATION RESISTANCE: 5000Mega-Ohms DURABILITY: 500CYCLES	BODY: BRASS, NICKEL PLATED CONDUCTOR: PHOSPHOR BRONZE, GOLD PLATED SHELL: SUS303 INSULATOR: TEFLON C-RING: STEEL O-RING: SILICON

TOLERANCE: X=±0.38 X.X=±0.25 X.XX=±0.15

Outline Drawing (Unit: mm)

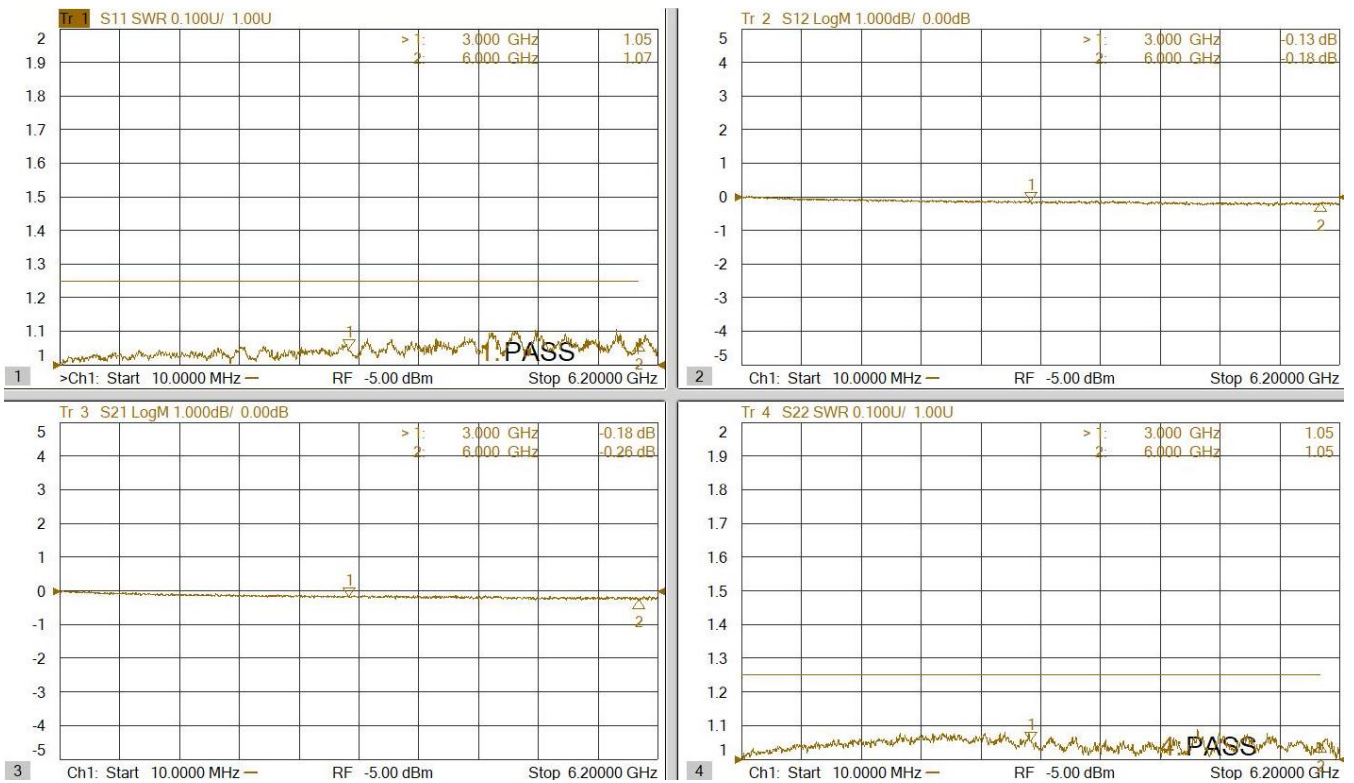


- NOTES:
1. ALL SPECIFICATIONS ARE SUBJECT TO CHANGE WITHOUT NOTICE AT ANY TIME
 2. CUSTOMER OUTLINE DRAWING FOR REFERENCE ONLY



Typical Test Result

PART NUMBER	DESCRIPTION
MVE1991-5	SMA Male To MHF5 Female Adapter, DC-6GHz



NOTES:

1. ALL SPECIFICATIONS ARE SUBJECT TO CHANGE WITHOUT NOTICE AT ANY TIME
2. CUSTOMER OUTLINE DRAWING FOR REFERENCE ONLY