

COAXIAL ADAPTER

N-2.92mm Precision Series

Features

- ✓ Frequency up to 18GHz
- ✓ High Durability
- ✓ Low VSWR

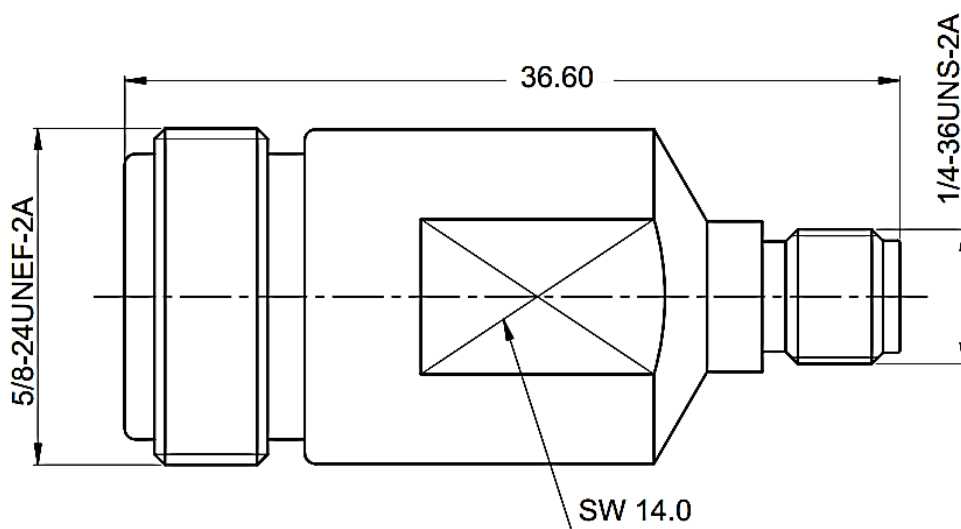


Specifications

PART NUMBER	MVE1511
DESCRIPTION	2.92mm Female To N Female, 18GHz Adapter/Stainless
ELECTRICAL	MATERIALS
FREQUENCY: DC-18GHz IMPEDANCE: 50OHM VSWR: 1.15:1 MAX. TEMPERATURE RANGE: -55°C~+165°C DURABILITY(MATINGS): >500	BODY: STAINLESS STEEL,PASSIVATED CONTACT: COPPER BERYLLIUM ALLOY, GOLD PLATED INSULATOR: PEI

TOLERANCE:±0.5mm

Outline Drawing (Unit: mm)

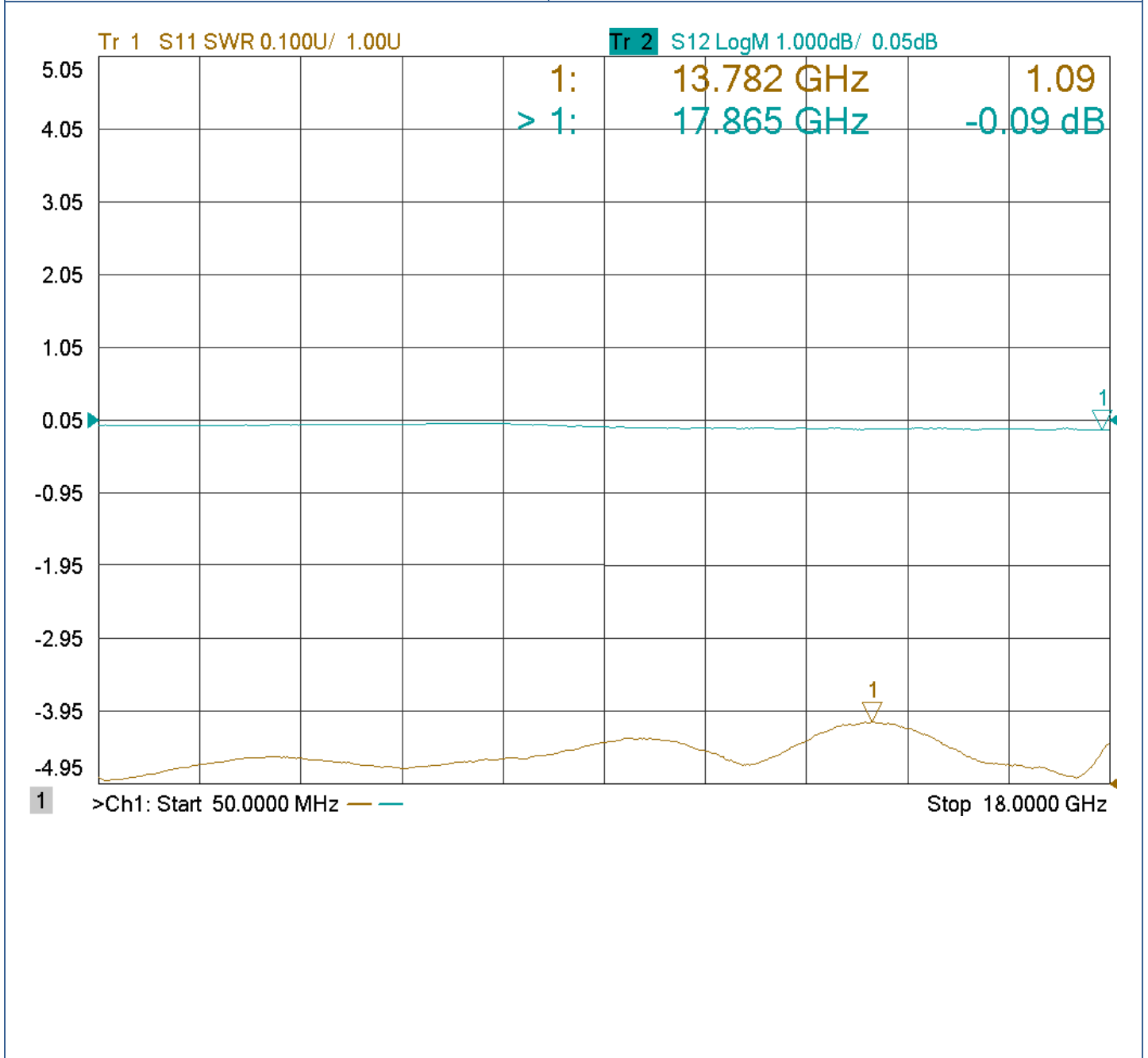


NOTES:
 1. ALL SPECIFICATIONS ARE SUBJECT TO CHANGE WITHOUT NOTICE AT ANY TIME
 2. CUSTOMER OUTLINE DRAWING FOR REFERENCE ONLY



Typical Test Result

PART NUMBER	DESCRIPTION
MVE1511	2.92mm Female To N Female, 18GHz Adapter/Stainless



- NOTES:
1. ALL SPECIFICATIONS ARE SUBJECT TO CHANGE WITHOUT NOTICE AT ANY TIME
 2. CUSTOMER OUTLINE DRAWING FOR REFERENCE ONLY