

COAXIAL CIRCULATOR

Dual Junction Series 2000-4000MHz

Features

- ✓ Frequency Range: 2000MHz~4000MHz
- ✓ Small Size
- ✓ High Performance

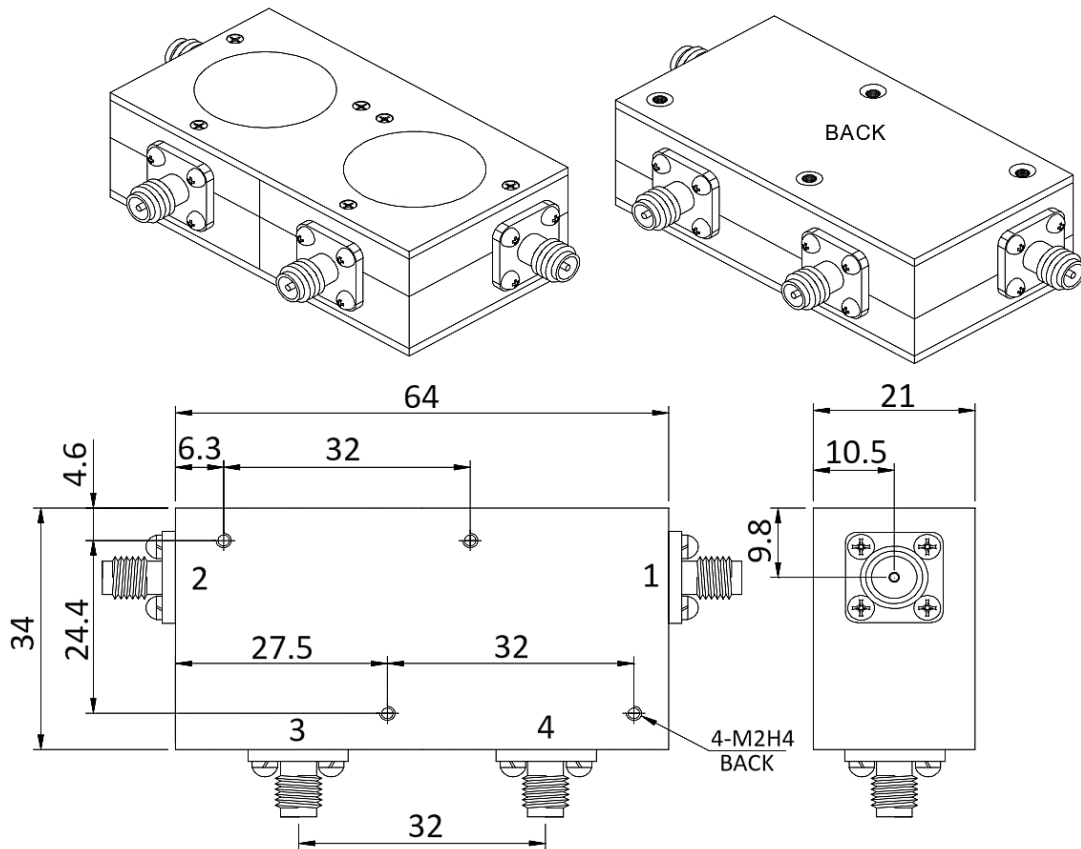
Specifications

CONNECTOR TYPE: SMA FEMALE
DIRECTION: CLOCKWISE 1→2→3

PART NUMBER	FREQUENCY (MHz)	VSWR (MAX.)	INSERTION LOSS (MAX.)	ISOLATION (MIN.)	FORWARD POWER	TEMPERATURE
MVE7231B	2000-4000	1.35	1.0dB@2-1/4-3 0.5dB@3-2/1-4	36dB@1-2/3-4 UNFIXED@2-3/4-1	100W CW	0~+60°C

Tolerance: ±0.5mm

Outline Drawing (Unit: mm)



NOTES:
1. ALL SPECIFICATIONS ARE SUBJECT TO CHANGE WITHOUT NOTICE AT ANY TIME\\
2. CUSTOMER OUTLINE DRAWING FOR REFERENCE ONLY



Typical Test Result

