

ELECTRICAL DATA

FREQUENCY: DC-6GHz

IMPEDANCE: 50Ω

VSWR: 1.5:1@DC-6GHz

DIELECTRIC WITHSTANDING: 500Vrms

WORKING VOLTAGE: 170 Vrms MAX.

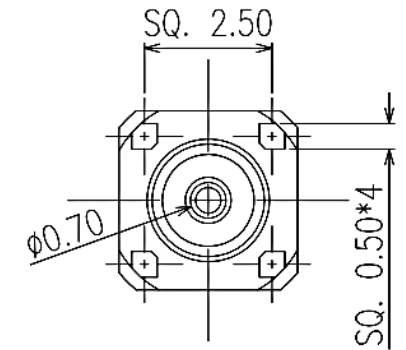
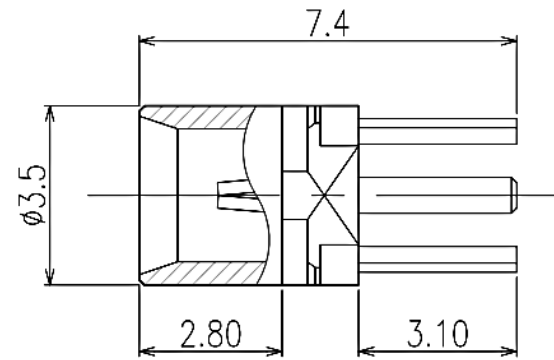
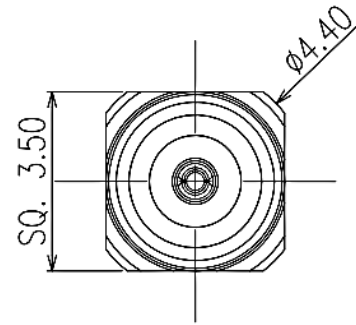
INSULATION RESISTANCE: 1000Mega-ohms

MECHANICAL DATA

COUPLING METHOD: SLIDE-IN

DURABILITY (MATING/UNMATING): 500 CYCLES

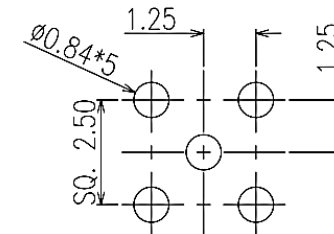
OPERATING TEMP RANGE: -40°C ~ +90°C



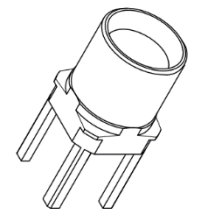
APPLICATION

Fully mating with 910910.316.10

ROHS COMPLIANCE



RECOMMEND PCB MOUNT LAYOUT



DESCRIPTION	MATERIALS	ROHS COMPLIANCE	UNIT: mm
INSULATOR	TEFLON	TOLERANCE: X=±0.38 X.X=±0.25 X.XX=±0.15	
CENTER CONTACT	BE-CU, GOLD PLATED	TITLE Multi-Microrf Board Connector For PCB, DC-6GHz	
BODY	BRASS, GOLD PLATED		



芝程科技有限公司

www.micro-mve.com

DC-67GHz RF& Microwave Components

PART NO.	MVE3140-7.4	REV	1.1
SIZE: A	SHEET: 1/1	SCALE:	

NOTES

1. ALL SPECIFICATIONS ARE SUBJECT TO CHANGE WITHOUT NOTICE AT ANY TIME
2. CUSTOMER OUTLINE DRAWING FOR REFERENCE ONLY