

COAXIAL CONNECTOR

SMA PCB DIP Type

Features

- ✓ Frequency up to 6 GHz
- ✓ Low VSWR
- ✓ SMA Female R/A Interface

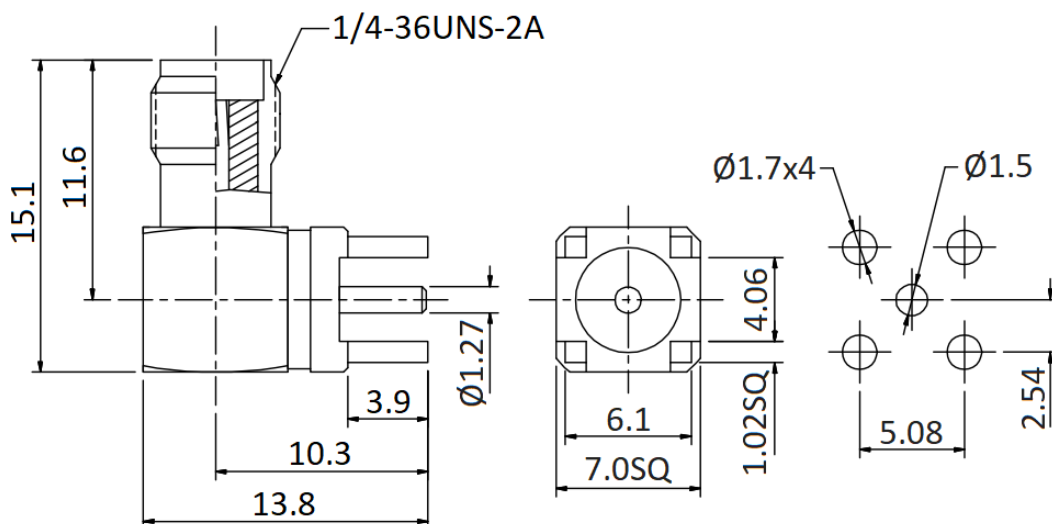


Specifications

PART NUMBER	MVE3108-15.1B
DESCRIPTION	SMA Female R/A For PCB Connector, DIP DC-6GHz
ELECTRICAL	
FREQUENCY: DC-6GHz IMPEDANCE: 50 ohm VSWR: 1.50:1 MAX. WORKING VOLTAGE: 500Vrms MAX. DIELECTRIC WITHSTANDING VOLTAGE: 1000Vrms MAX. INSULATOR RESISTANCE: 1000MEGOHMS MIN.	
MATERIALS	
BODY: BRASS, GOLD PLATED CONTACT: BE COPPER, GOLD PLATED INSULATOR: TEFLON	

TOLERANCE: X=±0.2 X.X=±0.1 X.XX=±0.05

Outline Drawing (Unit: mm)



NOTES:

1. ALL SPECIFICATIONS ARE SUBJECT TO CHANGE WITHOUT NOTICE AT ANY TIME
2. CUSTOMER OUTLINE DRAWING FOR REFERENCE ONLY

