

# COAXIAL ADAPTER

## MMCX-SMA Standard Series

### Features

- ✓ Frequency Range: DC to 6GHz
- ✓ MMCX Interface
- ✓ Low VSWR

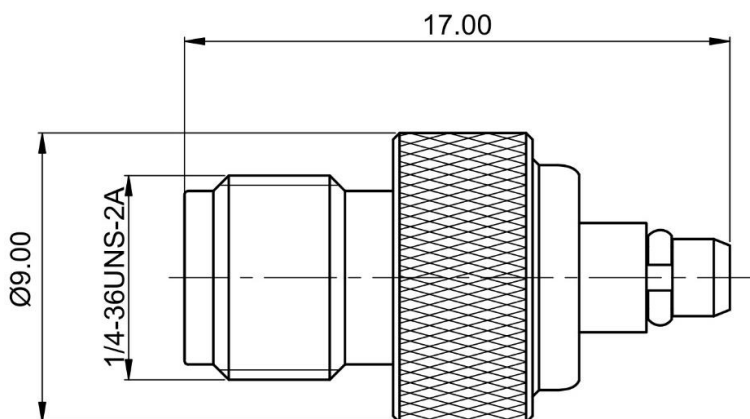


### Specifications

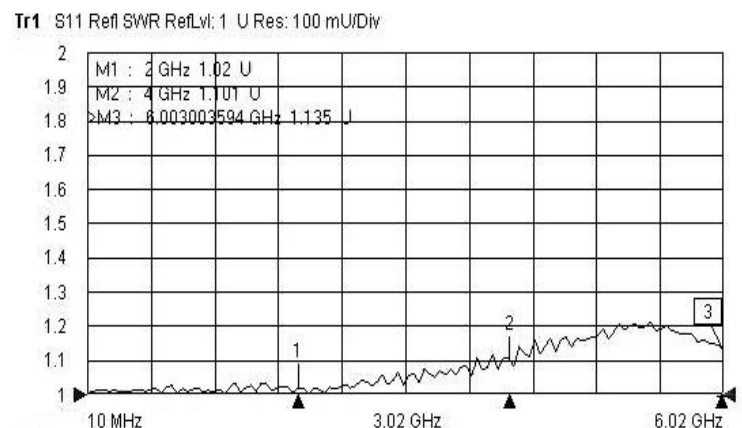
<b>PART NUMBER</b>	MVE1562
<b>DESCRIPTION</b>	MMCX Male To SMA Female Adapter, DC-6GHz
<b>ELECTRICAL</b>	<b>MATERIALS</b>
FREQUENCY : DC-6GHz IMPEDANCE: 50 ohm VSWR: 1.3:1 MAX. WITHSTANDING VOLTAGE: 250V INSULATION RESISTANCE: $\geq 1 \times 10^3 M\Omega$ DURABILITY (MATINGS): >500 TEMPERATURE RANGE: -55~+155°C	BODY: BRASS, GOLD PLATED CONTACT: COPPER BERYLLIUM ALLOY, GOLD PLATED INSULATOR: PTFE

TOLERANCE: X=±0.5    X.X=±0.2    .XX=±0.1

### Outline Drawing (Unit: mm)



### Typical Test Result



NOTES:

1. ALL SPECIFICATIONS ARE SUBJECT TO CHANGE WITHOUT NOTICE AT ANY TIME
2. CUSTOMER OUTLINE DRAWING FOR REFERENCE ONLY

