

COAXIAL ADAPTER

BNC Type Standard Series

Features

- ✓ Frequency up to 8GHz
- ✓ BNC Interface
- ✓ Low VSWR

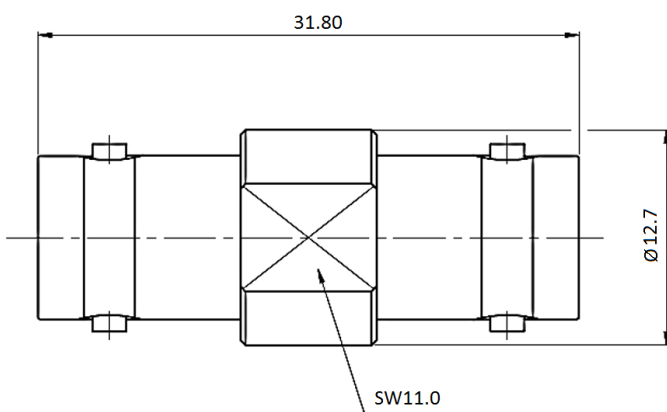


Specifications

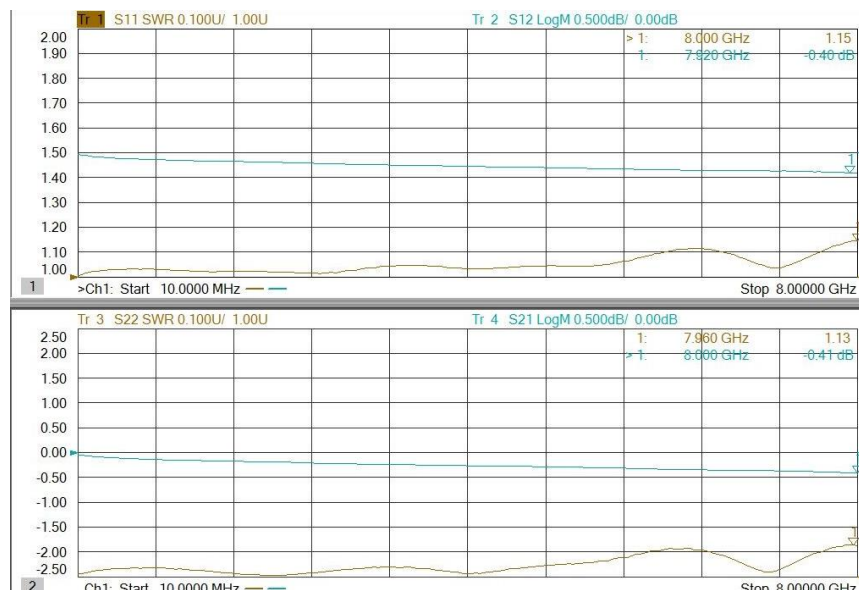
| | |
|---|--|
| PART NUMBER | MVE1266 |
| DESCRIPTION | BNC Female To BNC Female Adapter, DC-8GHz Adapter/ Stainless Steel |
| ELECTRICAL | |
| FREQUENCY: DC-8GHz IMPEDANCE: 50Ω VSWR: 1.15:1 MAX. TEMPERATURE RANGE: -55~+165°C DURABILITY: 500CYCLE MIN. | |
| MATERIALS | |
| BODY: STAINLESS STEEL, PASSIVATED INSULATOR: PEI, PTFE PIN CONTACT: BERYLLIUM COPPER ALLOY, GOLD PLATED | |

TOLERANCE: X=±0.5 X.X=±0.2 .XX=±0.1

Outline Drawing (Unit: mm)



Typical Test Result



NOTES:
 1. ALL SPECIFICATIONS ARE SUBJECT TO CHANGE WITHOUT NOTICE AT ANY TIME
 2. CUSTOMER OUTLINE DRAWING FOR REFERENCE ONLY

